



## VANTAGE Models

Issued: 02/96  
Revised: 08/00

Division  
Section

3  
A

<b>VANTAGE E-36</b>	63,50 mm	46,80 mm	148 cc
<b>VANTAGE E-46</b>	66,60 mm	49,20 mm	172 cc
<b>VANTAGE E-56</b>	71,00 mm	49,20 mm	195 cc

<b>VANTAGE E-36</b>	E-36000	E-36001	E-36002C	E-36004	E-36005
	E-36006	E-36008	E-36009	E-36015	E-36020
	E-36021	E-36021A	E-36022A	E-36054	E-36091
	E-36092D	E-36093D	E-36100	E-36100B	E-36100C
	E-36101	E-36101A	E-36101B	E-36102	E-36102A
	E-36102B	E-36102C	E-36102D	E-36102E	E-36103B
	E-36103C	E-36104	E-36104A	E-36104B	E-36104C
	E-36104D	E-36105	E-36106	E-36107A	E-36108C
	E-36110C	E-36112C	E-36112D	E-36112E	E-36113D
	E-36114C	E-36115	E-36120C	E-36121	E-36122A
	E-36123D	E-36139E	E-36142D	E-36144D	E-36150
	E-36152D	E-36154D	E-36155	E-36164D	E-36182E
	E-36192E	E-36194	E-36201	E-36202	E-36204
	E-36204A	E-36204B	E-36204C	E-36206	E-36207
	E-36212D	E-36218	E-36220	E-36226	E-36228
	E-36229	E-36242E	E-36252E	E-36262E	E-36264E
	E-36272E	E-36273E	E-36274E	E-36284E	E-36292E
	E-36300	E-36301	E-36302	E-36306	E-36307
	E-36318	E-36382E	E-36391	E-36391A	E-36392E
	E-36394	E-36400B	E-36401	E-36401A	E-36401B
	E-36401C	E-36401D	E-36404	E-36404B	E-36404C
	E-36404D	E-36491A	E-36501	E-36507A	E-36511
	E-36514	E-36520B	E-36520C	E-36522B	E-36523C
	E-36532B	E-36601	E-36601A	E-36601B	E-36602A
	E-36621	E-36621A	E-36701A	E-36702A	E-36721A
	E-36729				
<b>VANTAGE E-46</b>	E-46000	E-46000A	E-46001	E-46004	E-46005
	E-46006	E-46010	E-46052	E-46055	E-46216
	E-46226				
<b>VANTAGE E-56</b>	E-56520	E-56522			

Tecumseh products made in Italy by

**TECUMSEH EUROPA S.p.A.**

VANTAGE - 1

**VANTAGE Models**

Issued: 02/96

Revised: 08/00



VANTAGE E-36	Carburettor	Rc. Starter	El. Starter	Crankshaft	Idle Rpm +/- 200	High Rpm +/- 100
E-36000	23020104	14210056		16070111	2000	3000
E-36001	23020104	14210056		16070111	2000	3000
E-36002C	23060004	14300020		16070105	2000	3000
E-36004	23020104	14210056		16070100	2000	3000
E-36005	23020104	14210056	16410002	16070111	2000	3000
E-36006	23020104	14210056	16410002	16070111	2000	3000
E-36008	23070001	14210056	16410002	16070114	2000	3000
E-36009	23070001	14210056		16070114	2000	3000
E-36015	23020104	14210056	16410002	16070100	2000	3000
E-36020	23020104	14210056		16070111	2000	3350
E-36021	23020104	14210056		16070111	2000	3000
E-36021A	23020104	14210056		16070111	2000	3350
E-36022A	23020104	14210076		16070111	2000	3350
E-36054	23020104	14210056		16070100	2000	3350
E-36091	23070001	14210056		16070111	2000	3000
E-36092D	23060612	14300053		16070111	2000	3000
E-36093D	23099003	14300053		16070111	2000	3000
E-36100	23020104	14210056		16070111	2000	3000
E-36100B	23099004	14300020		16070111	2000	3000
E-36100C	23099004	14300020		16070111	2000	3000
E-36101	23070001	14210056		16070111	2000	3000
E-36101A	23070001	14300020		16070111	2000	3000
E-36101B	23060006	14300020		16070105	2000	3000
E-36102	23020104	14210056		16070111	2000	3000
E-36102A	23099004	14300020		16070111	2000	3000
E-36102B	23099004	14300020		16070111	2000	3000
E-36102C	23060012	14300020		16070111	2000	3000
E-36102D	23099003	14300053		16070111	2000	3000
E-36102E	23099003	16630054		16070111	2000	2900
E-36103B	23099004	14210076		16070111	2000	3000
E-36103C	23099004	14300020		16070111	2000	3000
E-36104	23070001	14210056		16070100	2000	3000
E-36104A	23070001	14300020		16070100	2000	3150
E-36104B	23099004	14300020		16070130	2000	3000
E-36104C	23099004	14300020		16070129	2000	3000
E-36104D	23060612	14300053		16070130	2000	3000
E-36105	23020104	14210056	16410002	16070100	2000	3000
E-36106	23020104	14210056	16410002	16070111	2000	3000
E-36107A	23060004	14300020		16070111	2000	3000
E-36108C	23060012	14300020		16070111	2000	3000
E-36110C	23060012	14300020		16070111	2000	3000
E-36112C	23060012	14300020		16070111	2000	3000
E-36112D	23060612	14230053		16070111	2000	3000
E-36112E	23060612	14300064		16070111	2000	3000
E-36113D	23060612	14300053		16070111	2000	3000
E-36114C	23099004	14300020		16070129	2000	3000
E-36115	23020104	14210056	16410002	16070111	2000	3000
E-36120C	23020142	14210076		16070111	2000	3350

Tecumseh products made in Italy by

**TECUMSEH EUROPA S.p.A.**



Sub-Assembly details by specification number for:

**VANTAGE Models**

Issued: 02/96

Revised: 08/00

Division  
Section

3  
A

VANTAGE E-36	Carburettor	Rc. Starter	El. Starter	Crankshaft	Idle Rpm +/- 200	High Rpm +/- 100
E-36121	23020104	14210056		16070111	2000	3350
E-36122A	23020104	14210076		16070111	2000	3350
E-36123D	23099003	14300053		16070111	2000	3000
E-36139E	23060012	14210090		16070111	2000	3000
E-36142D	23060612	14300051		16070111	2000	3000
E-36144D	23099003	14300053		16070130	2000	3000
E-36150	23020104	14210056		16070100	2000	3350
E-36152D	23060012	14300053		16070111	2000	3000
E-36154D	23060612	14300053		16070130	2000	3000
E-36155	23020104	14210056	16410002	16070111	2000	3000
E-36164D	23099003	14300053		16070130	2000	3000
E-36182E	23060612	14300053		16070097	2000	3000
E-36192E	23060612	14300053		16070140	2000	3000
E-36194	23070001	14210056		16070114	2000	3000
E-36201	23070001	14210056		16070114	2000	3150
E-36202	23070001	14210056		16070114	2000	3000
E-36204	23070001	14210056		16070100	2000	3150
E-36204A	23070001	14300020		16070100	2000	3150
E-36204B	23099004	14300020		16070130	2000	3000
E-36204C	23099004	14300020		16070100	2000	3150
E-36206	23070001	14210056	16410002	16070114	2000	3150
E-36207	23070001	14210056	16410002	16070114	2000	3000
E-36212D	23099003	14300053		16070111	2000	3000
E-36218	23070001	14210056	16410002	16070114	2000	3000
E-36220	23020142	14210076		16070042	2000	3150
E-36226	23020104	14210056		16070114	2000	3000
E-36228	23070001	14210056	16410002	16070114	2000	3000
E-36229	23070001	14210056		16070114	2000	3000
E-36242E	23099003	16630054		16070111	2000	2800
E-36252E	23060012	16630054		16070111	2000	2800
E-36262E	23060012	14210090		16070111	2000	3000
E-36264E	23099003	14210090		16070130	2000	2900
E-36272E	23099003	14210090		16070111	2000	2800
E-36273E	23099004	14210090		16070130	2000	3250
E-36274E	23099003	14210090		16070130	2000	2900
E-36284E	23099003	14210090		16070130	2000	2900
E-36292E	23060012	14210090		16070140	2000	2800
E-36300	23070001	14210056		16070111	2000	3000
E-36301	23070001	14210056		16070114	2000	3150
E-36302	23070001	14210056		16070114	2000	3000
E-36306	23020104	14210056	16410002	16070111	2000	3000
E-36307	23070001	14210056	16410002	16070114	2000	3000
E-36318	23070001	14210056	16410002	16070114	2000	3000
E-36382E	23060012	14210090		16070140	2000	2800
E-36391	23070001	14210056		16070111	2000	3000
E-36391A	23070001	14210076		16070111	2000	3000
E-36392E	23060012	14210090		16070140	2000	2800
E-36394	23070001	14210056		16070114	2000	3000
E-36400B	23099004	14300020		16070111	2000	3000
E-36401	23070001	14210076		16070111	2000	3000
E-36401A	23070001	14300020		16070111	2000	3000

Tecumseh products made in Italy by

**TECUMSEH EUROPA S.p.A.**

**VANTAGE Models**

Issued: 02/96

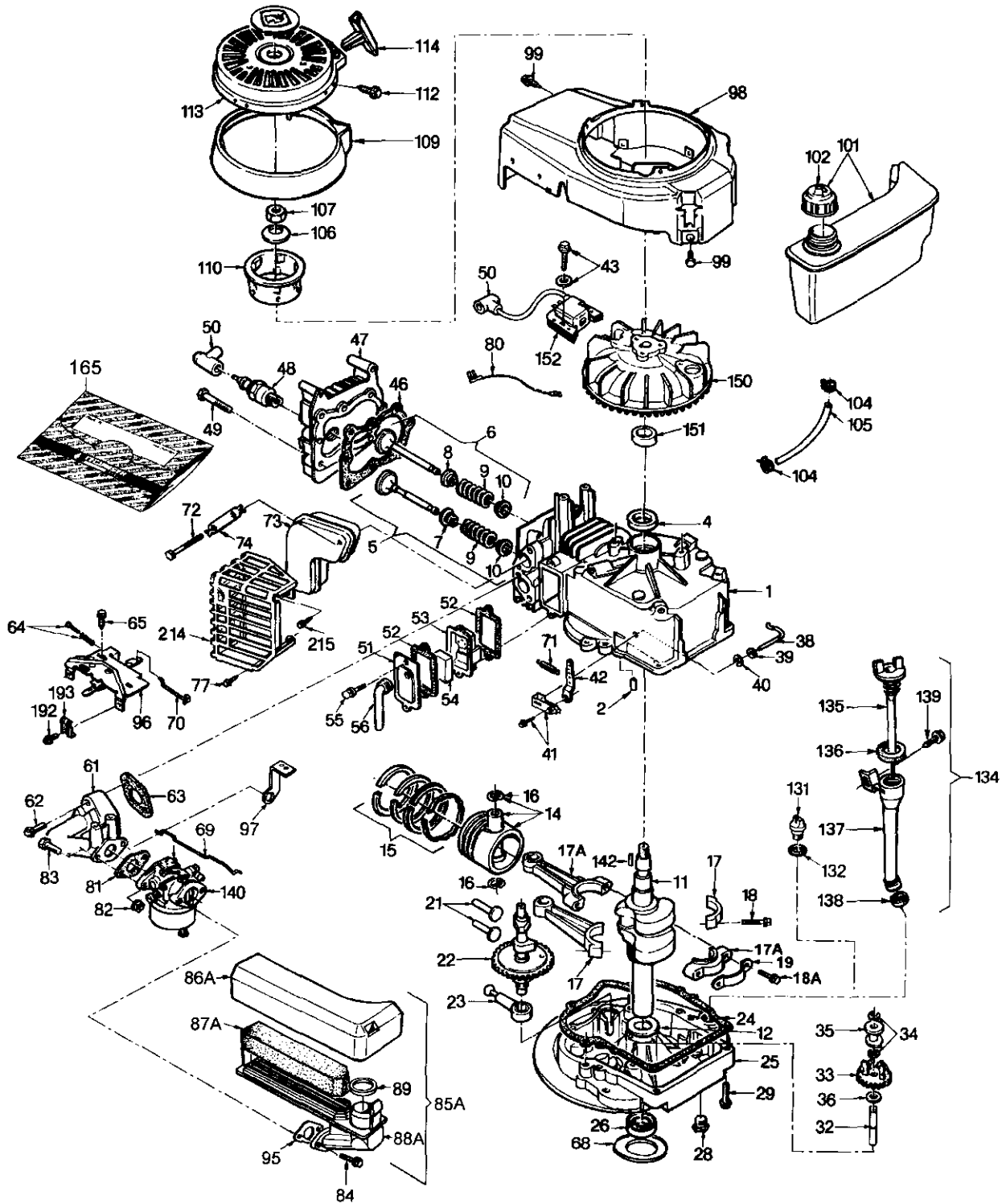
Revised: 08/00



<b>VANTAGE E-36</b>	<b>Carburettor</b>	<b>Rc. Starter</b>	<b>El. Starter</b>	<b>Crankshaft</b>	<b>Idle Rpm +/- 200</b>	<b>High Rpm +/- 100</b>
E-36401B	23070001	14300020		16070111	2000	3000
E-36401C	23099004	14300020		16070111	2000	3000
E-36401D	23060612	14300053		16070111	2000	3000
E-36404	23070001	14210076		16070100	2000	3000
E-36404B	23070001	14300020		16070100	2000	3000
E-36404C	23099004	14300020		16070100	2000	3000
E-36404D	23060612	14300053		16070100	2000	3000
E-36491A	23070001	14300020		16070111	2000	3000
E-36501	23070001	14210056		16070111	2000	3000
E-36507A	23070001	14210056	16410002	16070114	2000	3000
E-36511	23020142	14210056		16070111	2000	3000
E-36514	23020142	14210056		16070100	2000	3000
E-36520B	23060004	14210076		16070105	2000	3150
E-36520C	23099004	14210076		16070111	2000	3150
E-36522B	23060604	14210090		16070105	2000	3150
E-36523C	23060604	14210090		16070105	2000	3150
E-36532B	23060604	14210090		16070105	2000	3150
E-36601	23070001	14210056		16070111	2000	3000
E-36601A	23070001	14210076		16070111	2000	3000
E-36601B	23060006	14210076		16070105	2000	3000
E-36602A	23060612	14300053		16070111	2000	3000
E-36621	23020142	14210056		16070111	2000	3350
E-36621A	23020142	14210076		16070111	2000	3150
E-36701A	23070001	14210076		16070111	2000	3000
E-36702A	23099004	14210076		16070111	2000	3000
E-36721A	23020142	14210076		16070111	2000	3350
E-36729	23070001	14210056		16070114	2000	3000
<b>VANTAGE E-46</b>	<b>Carburettor</b>	<b>Rc. Starter</b>	<b>El. Starter</b>	<b>Crankshaft</b>	<b>Idle Rpm +/- 200</b>	<b>High Rpm +/- 100</b>
E-46000	23020104	14210056		16070105	2000	3000
E-46000A	23020104	14210056		16070105	2000	3000
E-46001	23020104	14210056		16070105	2000	3000
E-46004	23020104	14210056		16070104	2000	3000
E-46005	23020111	14210056	16410002	16070105	2000	3000
E-46006	23020111	14210056	16410002	16070105	2000	3000
E-46010	23020111	14210056	16410002	16070116	2000	3000
E-46052	23020104	14210056		16070105	2000	3000
E-46055	23020111	14210056	16410002	16070105	2000	3000
E-46216	23020104	14210056		16070116	2000	3000
E-46226	23020104	14210056		16070116	2000	3000
<b>VANTAGE E-56</b>	<b>Carburettor</b>	<b>Rc. Starter</b>	<b>El. Starter</b>	<b>Crankshaft</b>	<b>Idle Rpm +/- 200</b>	<b>High Rpm +/- 100</b>
E-56520	23060011	14210076		16070105	2000	3150
E-56522	23060611	14210090		16070105	2000	3150

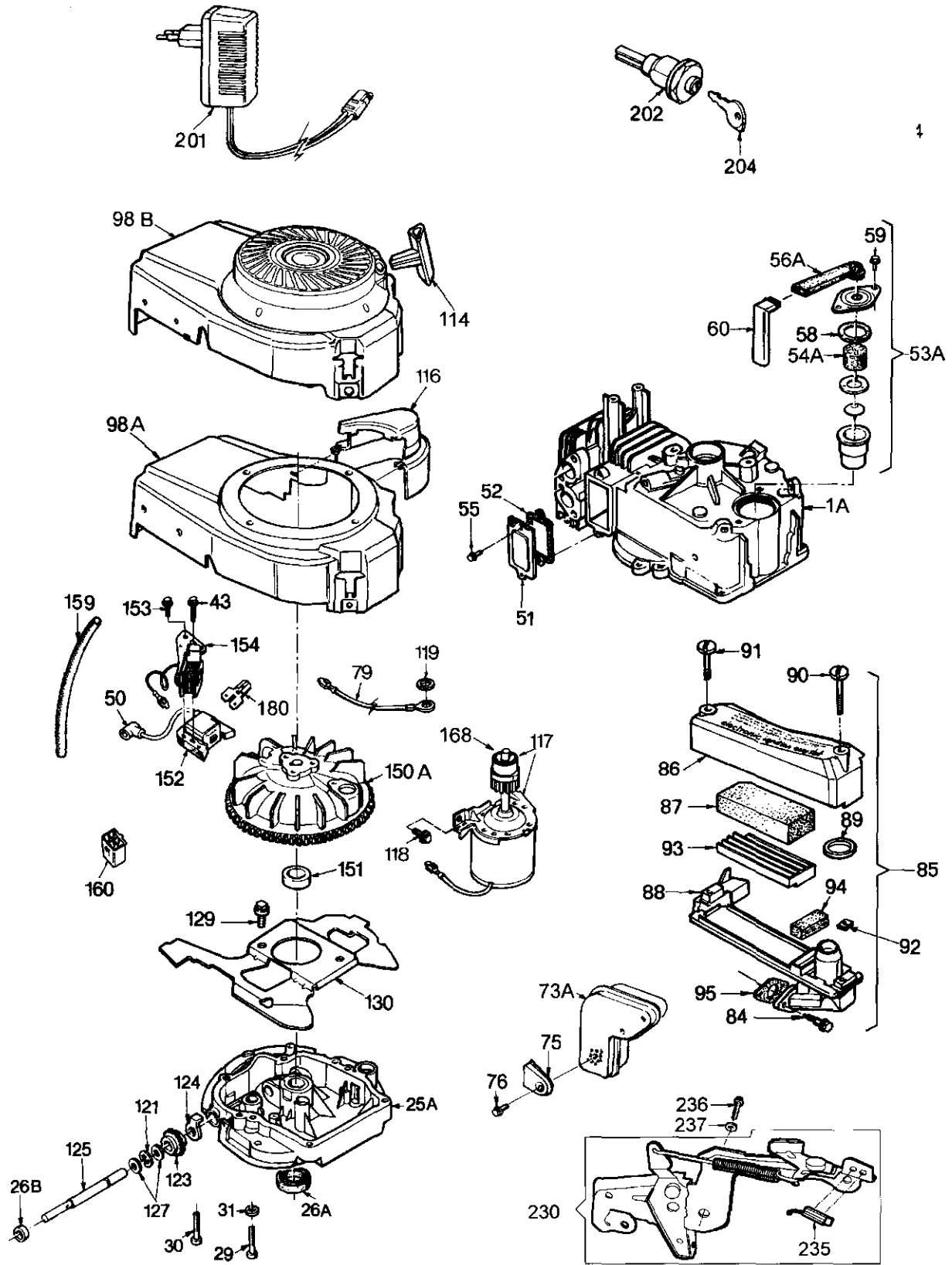
Tecumseh products made in Italy by

**TECUMSEH EUROPA S.p.A.**



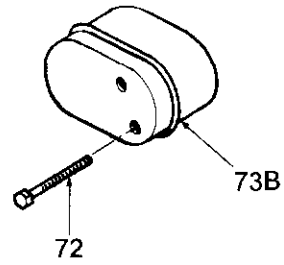
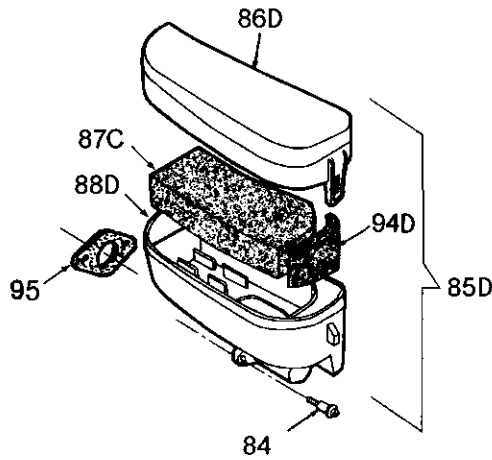
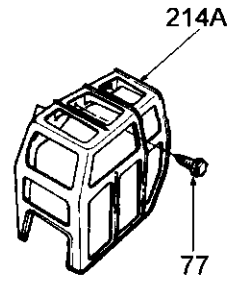
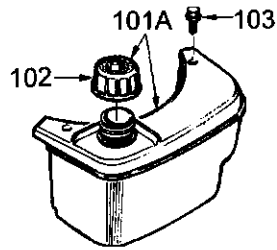
Tecumseh products made in Italy by

**TECUMSEH EUROPA S.p.A.**



Tecumseh products made in Italy by

**TECUMSEH EUROPA S.p.A.**



3	Division
A	Section

**VANTAGE Models**

Issued: 02/96  
Revised: 08/00



Ref.No.	Part No.	Part Name
1	16010028	Cylinder Assy. (Inc.-2,4)(63.50 mm Bore) <b>E-36220</b>
1	16010029	Cylinder Assy. (Inc.-2,4)(63.50 mm Bore) <b>E-36000</b> ,001,004,005,006,008,009,015,020,021,054,091,101,102,104,106,115,121,150 ,155,194,201,202,204,206,207,218,226,228,229,300,301,302,307,318
1	16010040	Cylinder Assy. (Inc.-2,4)(63.50 mm Bore) <b>E-36100</b> ,105
1	16010049	Cylinder Assy. (Inc.-2,4)(66.60 mm Bore) <b>E-46000</b> ,001,004,005,006,010,052,055,216,226
1	16010053	Cylinder Assy. (Inc.-2,4)(63.50 mm Bore) <b>E-36501</b>
1	16010059	Cylinder Assy. (Inc.-2,4)(63.50 mm Bore) <b>E-36002C</b> ,021A,022A,092D,093D,100B,100C,101A,101B,102A,102B,102C,102D,103B,103C ,104A,104B,104C,104D,107A,108C,110C,112C,112D,112E,113D,114C,120C,122A ,123D,142D,144D,152D,154D,164D,182E,192E,204A,204B,204C,212D,306,391,391A ,394,400B,401,401A,401B,401C,401D,404,404B,404C,404D,491A,507A,511,514 ,520B,520C,523C,601,601A,601B,602A,621,621A,701A,702A,721A,729
1	16010060	Cylinder Assy. (Inc.-2,4)(63.50 mm Bore) <b>E-36522B</b>
1	16010071	Cylinder Assy. (Inc.-2,4)(71.00 mm Bore) <b>E-56520</b> ,522
1	16010086	Cylinder Assy. (Inc.-2,4)(63.50 mm Bore) <b>E-36102E</b> ,139E,242E,252E,262E,264E,272E,273E,274E,284E,292E,382E,392E
1A	16010050	Cylinder Assy. (Inc.-2,4)(66.60 mm Bore) <b>E-46000A</b>
1A	16010097	Cylinder Assy. (Inc.-2,4)(63.50 mm Bore) <b>E-36532B</b>
2	29410001	Dowel Pin
4	29610017 *	Oil Seal
5	16130001	Intake Valve (Inc.-9,10)(Std)
5	16130002	Intake Valve (Inc.-9,10)(OS. 0.80 mm) <b>E-36002C</b> ,021A,022A,092D,093D,100B,100C,101A,101B,102A,102B,102C,102D,102E,103B ,103C,104A,104B,104C,104D,107A,108C,110C,112C,112D,112E,113D,114C,120C ,122A,123D,139E,142D,144D,152D,154D,164D,182E,192E,204A,204B,204C,212D ,220,242E,252E,262E,264E,272E,273E,274E,284E,292E,306,382E,391,391A,392E ,394,400B,401,401A,401B,401C,401D,404,404B,404C,404D,491A,507A,511,514 ,520B,520C,522B,523C,532B,601,601A,601B,602A,621,621A,701A,702A,721A,729 <b>E-56520</b> ,522
5	16130009	Intake Valve (Inc.-9,10)(Std)
5	16130010	Intake Valve (Inc.-9,10)(OS. 0.80 mm) <b>E-36000</b> ,001,004,005,006,008,009,015,020,021,054,091,100,101,102,104,105,106,115 ,121,150,155,194,201,202,204,206,207,218,226,228,229,300,301,302,307,318 ,501 <b>E-46000</b> ,000A,001,004,005,006,010,052,055,216,226
6	16140001	Exhaust Valve (Inc.-9,10)(Std)
6	16140002	Exhaust Valve (Inc.-9,10)(OS. 0.80 mm) <b>E-36220</b>
6	16140009	Exhaust Valve (Inc.-9,10)(Std)

Note: Always check Master Price List for replacement part numbers.

Tecumseh products made in Italy by

**TECUMSEH EUROPA S.p.A.**



**VANTAGE Models**Issued: 02/96  
Revised: 08/00

Division	3
Section	A

Ref.No.	Part No.	Part Name
6	16140010	Exhaust Valve (Inc.-9,10)(OS. 0.80 mm) <b>E-36000</b> ,001,002C,004,005,006,008,009,015,020,021,021A,022A,054,091,092D,093D ,100,100B,100C,101,101A,101B,102,102A,102B,102C,102D,102E,103B,103C,104 ,104A,104B,104C,104D,105,106,107A,108C,110C,112C,112D,112E,113D,114C,115 ,120C,121,122A,123D,139E,142D,144D,150,152D,154D,155,164D,182E,192E,194 ,201,202,204,204A,204B,204C,206,207,212D,218,226,228,229,242E,252E,262E ,264E,272E,273E,274E,284E,292E,300,301,302,306,307,318,382E,391,391A,392E ,394,400B,401,401A,401B,401C,401D,404,404B,404C,404D,491A,501,507A,511 ,514,520B,520C,522B,523C,532B,601,601A,601B,602A,621,621A,701A,702A,721A ,729 <b>E-46000</b> ,000A,001,004,005,006,010,052,055,216,226 <b>E-56520</b> ,522
7	19610001 *	Intake Valve Seal <b>E-36000</b> ,001,002C,004,005,006,008,009,015,020,021,021A,022A,054,091,100,100B,100C ,101,101A,101B,102,102A,102B,102C,103C,104,104A,104B,104C,105,106,107A ,114C,115,120C,121,122A,150,155,194,201,202,204,204A,204B,204C,206,207 ,218,226,228,229,300,301,302,306,307,318,391,391A,394,400B,401,401A,401B ,401C,404,404B,404C,491A,501,507A,511,514,520B,520C,601,601A,601B,621 ,621A,701A,702A,721A,729 <b>E-46000</b> ,000A,001,004,005,006,010,052,055,216,226 <b>E-56520</b> ,522
8	22470008	Upper Valve Spring Keeper <b>E-36000</b> ,001,002C,004,005,006,008,009,015,020,021,021A,022A,054,091,100,100B,100C ,101,101A,101B,102,102A,102B,102C,103C,104,104A,104B,104C,105,106,107A ,114C,115,120C,121,122A,150,155,194,201,202,204,204A,204B,204C,206,207 ,218,220,226,228,229,300,301,302,306,307,318,391,391A,400B,401,401A,401B ,401C,404,404B,404C,491A,501,507A,511,514,520B,520C,601,601A,601B,621 ,621A,701A,702A,721A,729 <b>E-46000</b> ,000A,001,004,005,006,010,052,055,216,226
9	27910003	Valve Spring
10	22470006	Lower Valve Spring Keeper
11	16070042	Crankshaft <b>E-36220</b>
11	16070097	Crankshaft <b>E-36182E</b>
11	16070100	Crankshaft <b>E-36004</b> ,015,054,104,104A,105,150,204,204A,204C,404,404B,404C,404D,514
11	16070104	Crankshaft <b>E-46004</b>
11	16070105	Crankshaft <b>E-36002C</b> ,101B,520B,522B,523C,532B,601B <b>E-46000</b> ,000A,001,005,006,052,055 <b>E-56520</b> ,522
11	16070111	Crankshaft <b>E-36000</b> ,001,005,006,020,021,021A,022A,091,092D,093D,100,100B,100C,101,101A,102 ,102A,102B,102C,102D,102E,103B,103C,106,107A,108C,110C,112C,112D,112E ,113D,115,120C,121,122A,123D,139E,142D,152D,155,212D,242E,252E,262E,272E ,300,306,382E,391,391A,400B,401,401A,401B,401C,401D,491A,501,511,520C ,601,601A,602A,621,621A,701A,702A,721A
11	16070114	Crankshaft <b>E-36008</b> ,009,194,201,202,206,207,218,226,228,229,301,302,307,318,394,507A,729
11	16070116	Crankshaft <b>E-46010</b> ,216,226
11	16070129	Crankshaft <b>E-36104C</b> ,114C
11	16070130	Crankshaft <b>E-36104B</b> ,104D,144D,154D,164D,204B,264E,273E,274E,284E
11	16070140	Crankshaft <b>E-36192E</b> ,292E,392E

Note: Always check Master Price List for replacement part numbers.

Tecumseh products made in Italy by

**TECUMSEH EUROPA S.p.A.**



Ref.No.	Part No.	Part Name
12	29520006	Thrust Washer <b>E-36000</b> ,001,002C,004,005,006,015,020,021,021A,022A,054,091,092D,093D,100,100B,100C,101,101A,101B,102,102A,102B,102C,102D,102E,103B,103C,104,104A,104B,104C,104D,105,106,107A,108C,110C,112C,112D,112E,113D,114C,115,120C,121,122A,123D,139E,142D,144D,150,152D,154D,155,164D,182E,192E,204,204A,204B,204C,212D,242E,252E,262E,264E,272E,273E,274E,284E,292E,300,306,382E,391,391A,392E,400B,401,401A,401B,401C,401D,404,404B,404C,404D,491A,501,511,514,520B,520C,522B,523C,532B,601,601A,601B,602A,621,621A,701A,702A,721A <b>E-46000</b> ,000A,001,004,005,006,052,055 <b>E-56520</b> ,522
14	16090007	Piston & Pin Assy. (Inc.-16)(Std 63.50 mm Bore)
14	16090008	Piston & Pin Assy. (Inc.-16)(OS. 0.25 mm)
14	16090009	Piston & Pin Assy. (Inc.-16)(OS. 0.50 mm) <b>E-36000</b> ,001,002C,004,005,006,008,009,015,020,021,021A,022A,054,091,092D,093D,100,100B,100C,101,101A,101B,102,102A,102B,102C,102D,102E,103B,103C,104,104A,104B,104C,104D,105,106,107A,108C,110C,112C,112D,112E,113D,114C,115,120C,121,122A,123D,139E,142D,144D,150,152D,154D,155,164D,182E,192E,194,201,202,204,204A,204B,204C,206,207,212D,218,220,226,228,229,242E,252E,262E,264E,272E,273E,274E,284E,292E,300,301,302,306,307,318,382E,391,391A,392E,394,400B,401,401A,401B,401C,401D,404,404B,404C,404D,491A,501,507A,511,514,520B,520C,522B,523C,532B,601,601A,601B,602A,621,621A,701A,702A,721A,729
14	16090027	Piston & Pin Assy. (Inc.-16)(OS. 0.25 mm)
14	16090028	Piston & Pin Assy. (Inc.-16)(OS. 0.50 mm)
14	16090029	Piston & Pin Assy. (Inc.-16)(Std 66.60 mm Bore) <b>E-46000</b> ,000A,001,004,005,006,010,052,055,216,226
14	16090033	Piston & Pin Assy. (Inc.-16)(Std 71.00 mm Bore)
14	16090034	Piston & Pin Assy. (Inc.-16)(OS. 0.25 mm)
14	16090035	Piston & Pin Assy. (Inc.-16)(OS. 0.50 mm) <b>E-56520</b> ,522
15	16100009	Ring Set (Std 63.50 mm Bore)
15	16100010	Ring Set (OS. 0.25 mm)
15	16100011	Ring Set (OS. 0.50 mm) <b>E-36000</b> ,001,002C,004,005,006,008,009,015,020,021,021A,022A,054,091,092D,093D,100,100B,100C,101,101A,101B,102,102A,102B,102C,102D,102E,103B,103C,104,104A,104B,104C,104D,105,106,107A,108C,110C,112C,112D,112E,113D,114C,115,120C,121,122A,123D,139E,142D,144D,150,152D,154D,155,164D,182E,192E,194,201,202,204,204A,204B,204C,206,207,212D,218,220,226,228,229,242E,252E,262E,264E,272E,273E,274E,284E,292E,300,301,302,306,307,318,382E,391,391A,392E,394,400B,401,401A,401B,401C,401D,404,404B,404C,404D,491A,501,507A,511,514,520B,520C,522B,523C,532B,601,601A,601B,602A,621,621A,701A,702A,721A,729
15	16100018	Ring Set (Std 66.60 mm Bore)
15	16100019	Ring Set (OS. 0.25 mm)
15	16100020	Ring Set (OS. 0.50 mm) <b>E-46000</b> ,000A,001,004,005,006,010,052,055,216,226
15	16100024	Ring Set (Std 71.00 mm Bore)
15	16100025	Ring Set (OS. 0.25 mm)
15	16100026	Ring Set (OS. 0.50 mm) <b>E-56520</b> ,522
16	29450004	Piston Pin Retainer
17	16110010	Connecting Rod (Inc.-18) <b>E-36002C</b> ,101B,520B,522B,523C,532B,601B <b>E-46000</b> ,000A,001,004,005,006,010,052,055,216,226 <b>E-56520</b> ,522

Note: Always check Master Price List for replacement part numbers.

Tecumseh products made in Italy by

**TECUMSEH EUROPA S.p.A.**



VANTAGE Models

Issued: 02/96  
Revised: 08/00

Division	3
Section	A

Ref.No.	Part No.	Part Name
17A	16110006	Connecting Rod (Inc.-18A,19) <b>E-36000</b> ,001,004,005,006,008,009,015,020,021,021A,022A,054,091,092D,093D,100,100B,100C,101,101A,102,102A,102B,102C,102D,102E,103B,103C,104,104A,104B,104C,104D,105,106,107A,108C,110C,112C,112D,112E,113D,114C,115,120C,121,122A,123D,139E,142D,144D,150,152D,154D,155,164D,182E,192E,194,201,202,204,204A,204B,204C,206,207,212D,218,220,226,228,229,242E,252E,262E,264E,272E,273E,274E,284E,292E,300,301,302,306,307,318,382E,391,391A,392E,394,400B,401,401A,401B,401C,401D,404,404B,404C,404D,491A,501,507A,511,514,520C,601,601A,602A,621,621A,701A,702A,721A,729
18	29190164	Screw 1/4-20 (L=23mm) <b>E-36002C</b> ,101B,520B,522B,523C,532B,601B <b>E-46000</b> ,000A,001,004,005,006,010,052,055,216,226 <b>E-56520</b> ,522
18A	29180039	Screw 1/4-20 (L=25mm) <b>E-36000</b> ,001,004,005,006,008,009,015,020,021,021A,022A,054,091,092D,093D,100,100B,100C,101,101A,102,102A,102B,102C,102D,102E,103B,103C,104,104A,104B,104C,104D,105,106,107A,108C,110C,112C,112D,112E,113D,114C,115,120C,121,122A,123D,139E,142D,144D,150,152D,154D,155,164D,182E,192E,194,201,202,204,204A,204B,204C,206,207,212D,218,220,226,228,229,242E,252E,262E,264E,272E,273E,274E,284E,292E,300,301,302,306,307,318,382E,391,391A,392E,394,400B,401,401A,401B,401C,401D,404,404B,404C,404D,491A,501,507A,511,514,520C,601,601A,602A,621,621A,701A,702A,721A,729
19	29490025	Connecting Rod Clip <b>E-36000</b> ,001,002C,004,005,006,008,009,015,020,021,021A,022A,054,091,092D,093D,100,100B,100C,101,101A,101B,102,102A,102B,102C,102D,102E,103B,103C,104,104A,104B,104C,104D,105,106,107A,108C,110C,112C,112D,112E,113D,114C,115,120C,121,122A,123D,139E,142D,144D,150,152D,154D,155,164D,182E,192E,194,201,202,204,204A,204B,204C,206,207,212D,218,220,226,228,229,242E,252E,262E,264E,272E,273E,274E,284E,292E,300,301,302,306,307,318,382E,391,391A,392E,394,400B,401,401A,401B,401C,401D,404,404B,404C,404D,491A,501,507A,511,514,520B,520C,601,601A,602A,621,621A,701A,702A,721A,729
21	22440001	Valve Lifter
22	16120008	Camshaft (MCR) <b>E-46005</b> ,006,055
22	16120010	Camshaft (MCR) <b>E-56520</b> ,522
22	16120014	Camshaft (MCR) <b>E-46010</b>
22	22410044	Camshaft (BCR) <b>E-36000</b> ,001,004,005,006,015,020,021,021A,022A,054,091,100,101,101A,102,102A,104,104A,105,106,107A,115,120C,121,122A,150,155,204,204A,300,306,391,391A,400B,401,401A,401B,404,404B,491A,501,511,514,601,601A,621,621A,701A,721A <b>E-46000</b> ,000A,001,004,052
22	22410056	Camshaft (BCR) <b>E-36008</b> ,009,194,201,202,206,207,218,226,228,229,301,302,307,318,394,507A,729
22	22410057	Camshaft (BCR) <b>E-46216</b> ,226
22	22410064	Camshaft (BCR) <b>E-36220</b>
22	22410068	Camshaft (BCR) <b>E-36101B</b> ,601B
22	22410069	Camshaft (RCR) <b>E-36002C</b> ,520B
22	22410071	Camshaft (RCR) <b>E-36100B</b> ,100C,102B,102C,103B,103C,104B,104C,108C,110C,112C,114C,152D,204B,204C,401C,404C,520C,702A
22	22410073	Camshaft (RCR) <b>E-36522B</b> ,523C,532B

Note: Always check Master Price List for replacement part numbers.

Tecumseh products made in Italy by  
**TECUMSEH EUROPA S.p.A.**

3 A	Division
	Section

**VANTAGE Models**

Issued: 02/96  
Revised: 08/00



Ref.No.	Part No.	Part Name
22	22410078	Camshaft (RCR) <b>E-36092D</b> ,093D,102D,102E,104D,112D,112E,113D,123D,139E,142D,144D,154D,164D,182E,192E,212D,242E,252E,262E,264E,272E,273E,274E,284E,292E,382E,392E,401D,404D,602A
23	16160004	Oil Pump Assy
24	29630001	* Flange Assy. Gasket <b>E-36000</b> ,001,002C,004,005,006,008,009,015,020,021,021A,022A,054,091,092D,093D,100,100B,100C,101,101A,101B,102,102A,102B,102C,102D,102E,103B,103C,104,104A,104B,104C,104D,105,106,107A,108C,110C,112C,112D,112E,113D,114C,115,120C,121,122A,123D,139E,142D,144D,150,152D,154D,155,164D,182E,192E,194,201,202,204,204A,204B,204C,206,207,212D,218,220,226,228,229,242E,252E,262E,264E,272E,273E,274E,284E,292E,300,301,302,306,307,318,382E,391,391A,392E,394,400B,401,401A,401B,401C,401D,404,404B,404C,404D,491A,501,507A,511,514,520B,520C,523C,601,601A,601B,602A,621,621A,701A,702A,721A,729,000A,001,004,005,006,010,052,055,216,226 <b>E-46000</b> ,000A,001,004,005,006,010,052,055,216,226
24	29630156	* Flange Gasket <b>E-36522B</b> ,532B <b>E-56520</b> ,522
25	16030001	Flange Assy. (Inc.-26,28,32) <b>E-36220</b>
25	16030013	Flange Assy. (Inc.-26,28,32) <b>E-36000</b> ,001,004,005,006,015,020,021,021A,022A,054,100,102,105,122A,155,273E,300,306,511,514 <b>E-46000</b> ,000A,001,004,005,006,052,055 <b>E-56520</b> ,522
25	16030015	Flange Assy. (Inc.-26,28,32) <b>E-36002C</b> ,091,092D,093D,100B,100C,101,101A,101B,102A,102B,102C,102D,102E,103B,103C,104,104A,104B,104C,104D,106,107A,108C,110C,112C,112D,112E,113D,114C,115,120C,121,123D,139E,142D,144D,150,152D,154D,164D,182E,192E,204,204A,204B,204C,212D,242E,252E,262E,264E,272E,274E,284E,292E,382E,391,391A,392E,400B,401,401A,401B,401C,401D,404,404B,404C,404D,491A,501,520B,520C,522B,523C,532B,601,601A,601B,602A,621,621A,701A,702A,721A
25A	16030020	Flange Assy. (Inc.-26A,26B,28,32) <b>E-36194</b> ,218,318,394 <b>E-46216</b>
25A	16030021	Flange Assy. (Inc.-26A,26B,28,32) <b>E-36008</b> ,009,201,202,206,207,226,228,229,301,302,307,507A,729 <b>E-46010</b> ,226
26	29610001	* Oil Seal <b>E-36220</b>
26	29610018	* Oil Seal <b>E-36000</b> ,001,002C,004,005,006,015,020,021,021A,022A,054,091,092D,093D,100,100B,100C,101,101A,101B,102,102A,102B,102C,102D,102E,103B,103C,104,104A,104B,104C,104D,105,106,107A,108C,110C,112C,112D,112E,113D,114C,115,120C,121,122A,123D,139E,142D,144D,150,152D,154D,155,164D,182E,192E,204,204A,204B,204C,212D,242E,252E,262E,264E,272E,273E,274E,284E,292E,300,306,382E,391,391A,392E,400B,401,401A,401B,401C,401D,404,404B,404C,404D,491A,501,511,514,520B,520C,522B,523C,532B,601,601A,601B,602A,621,621A,701A,702A,721A,000A,001,004,005,006,052,055 <b>E-46000</b> ,000A,001,004,005,006,052,055 <b>E-56520</b> ,522
26A	29610001	* Oil Seal
26B	29610008	* Oil Seal <b>E-36008</b> ,009,194,201,202,206,207,218,226,228,229,301,302,307,318,394,507A,729 <b>E-46010</b> ,216,226

Note: Always check Master Price List for replacement part numbers.

Tecumseh products made in Italy by

**TECUMSEH EUROPA S.p.A.**



VANTAGE Models

Issued: 02/96  
Revised: 08/00

Division	3
Section	A

Ref.No.	Part No.	Part Name
28	29320035	Oil Drain Plug <b>E-36000</b> ,001,002C,004,005,006,008,009,015,020,021,021A,022A,054,091,092D,093D ,100,100B,100C,101,101A,101B,102,102A,102B,102C,102D,102E,103B,103C,104 ,104A,104B,104C,104D,105,106,107A,108C,110C,112C,112D,112E,113D,114C,115 ,120C,121,122A,123D,139E,142D,144D,150,152D,154D,155,164D,182E,192E,194 ,201,202,204B,206,207,212D,218,220,226,228,229,242E,252E,262E,264E,272E ,273E,274E,284E,292E,300,301,302,306,307,318,382E,391,391A,392E,394,400B ,401,401A,401B,401C,401D,404,404B,404C,404D,491A,501,507A,511,514,520B ,520C,522B,523C,532B,601,601A,601B,602A,621,621A,701A,702A,721A,729 <b>E-46000</b> ,000A,001,004,005,006,010,052,055,216,226 <b>E-56520</b> ,522
28	29320057	Oil Drain Plug <b>E-36204</b> ,204A,204C
29	29190075	Screw 1/4-20 (L=30mm)
30	29190076	Screw 1/4-20 (L=54mm) <b>E-36008</b> ,009,194,201,202,206,207,218,226,228,229,301,302,307,318,394,507A,729 <b>E-46010</b> ,216,226
32	22720001	Governor Shaft
33	16170001	Governor Gear
34	29450005	Governor Gear Retainer
35	22740001	Governor Spool
36	29510015	Washer
38	22750009	Governor Rod <b>E-36000</b> ,001,002C,004,005,006,015,020,021,021A,022A,054,091,092D,093D,100,100B ,100C,101,101A,101B,102,102A,102B,102C,102D,102E,103B,103C,104,104A,104B ,104C,104D,105,106,107A,108C,110C,112C,112D,112E,113D,114C,115,120C,121 ,122A,123D,139E,142D,144D,150,152D,154D,155,164D,182E,192E,204,204A,204B ,204C,212D,220,242E,252E,262E,264E,272E,273E,274E,284E,292E,300,306,382E ,391,391A,392E,400B,401,401A,401B,401C,401D,404,404B,404C,404D,491A,501 ,511,514,520B,520C,522B,523C,532B,601,601A,601B,602A,621,621A,701A,702A ,721A <b>E-46000</b> ,000A,001,004,005,006,052,055 <b>E-56520</b> ,522
38	22750010	Governor Rod <b>E-36008</b> ,009,194,201,202,206,207,218,226,228,229,301,302,307,318,394,507A,729 <b>E-46010</b> ,216,226
39	29510029	Washer
40	29450006	Governor Rod Retainer <b>E-36000</b> ,001,004,005,006,008,009,015,020,021,021A,022A,054,091,100,101,102,104 ,105,106,115,121,122A,150,155,194,201,202,204,206,207,218,220,226,228 ,229,300,301,302,306,307,318,394,501,507A,729 <b>E-46000</b> ,000A,001,004,005,006,010,052,055,216,226
41	16500009	Governor Lever Clamp
42	27240108	Governor Lever
43	29190168	Screw 10-24 (L=24mm)
46	29620013	* Cylinder Head Gasket <b>E-56520</b> ,522
46	29620015	* Cylinder Head Gasket <b>E-36000</b> ,001,002C,004,005,006,008,009,015,020,021,021A,022A,054,091,092D,093D ,100,100B,100C,101,101A,101B,102,102A,102B,102C,102D,102E,103B,103C,104 ,104A,104B,104C,104D,105,106,107A,108C,110C,112C,112D,112E,113D,114C,115 ,120C,121,122A,123D,139E,142D,144D,150,152D,154D,155,164D,182E,192E,194 ,201,202,204,204A,204B,204C,206,207,212D,218,220,226,228,229,242E,252E ,262E,264E,272E,273E,274E,284E,292E,300,301,302,306,307,318,382E,391,391A ,392E,394,400B,401,401A,401B,401C,401D,404,404B,404C,404D,491A,501,507A ,511,514,520B,520C,522B,523C,532B,601,601A,601B,602A,621,621A,701A,702A ,721A,729
46	29620016	* Cylinder Head Gasket <b>E-46000</b> ,000A,001,004,005,006,010,052,055,216,226

Note: Always check Master Price List for replacement part numbers.

Tecumseh products made in Italy by  
**TECUMSEH EUROPA S.p.A.**



Ref.No.	Part No.	Part Name
47	21210019	Cylinder Head <b>E-36000</b> ,001,002C,004,005,006,008,009,015,020,021,021A,022A,054,091,092D,093D ,100,100B,100C,101,101A,101B,102,102A,102B,102C,102D,102E,103B,103C,104 ,104A,104B,104C,104D,105,106,107A,108C,110C,112C,112D,112E,113D,114C,115 ,120C,121,122A,123D,139E,142D,144D,150,152D,154D,155,164D,182E,192E,194 ,201,202,204,204A,204B,204C,206,207,212D,218,220,226,228,229,242E,252E ,262E,264E,272E,273E,274E,284E,292E,300,301,302,306,307,318,382E,391,391A ,392E,394,400B,401,401A,401B,401C,401D,404,404B,404C,404D,491A,501,507A ,511,514,520B,520C,522B,523C,532B,601,601A,601B,602A,621,621A,701A,702A ,721A,729
47	21210020	Cylinder Head <b>E-46000</b> ,000A,001,004,005,006,010,052,055,216,226 <b>E-56520</b> ,522
48	29010007	Spark Plug <b>E-36000</b> ,001,002C,004,005,006,008,009,015,020,021,021A,022A,054,091,100,100B,100C ,101,101A,101B,102,102A,102B,102C,103C,104,104A,104B,104C,105,106,107A ,114C,115,120C,121,122A,150,155,194,201,202,204,204A,204B,204C,206,207 ,218,220,226,228,229,300,301,302,306,307,318,391,391A,394,400B,401,401A ,401B,401C,404,404B,404C,491A,501,507A,511,514,520B,520C,601,601A,601B ,621,621A,701A,702A,721A,729 <b>E-46000</b> ,000A,001,004,005,006,010,052,055,216,226 <b>E-56520</b> ,522
48	29010015	Spark Plug <b>E-36092D</b> ,093D,102D,102E,103B,104D,108C,110C,112C,112D,112E,113D,123D,139E,142D ,144D,152D,154D,164D,182E,192E,212D,242E,252E,262E,264E,272E,273E,274E ,284E,292E,382E,392E,401D,404D,522B,523C,532B,602A
49	29180063	Screw 5/16-18 (L=36mm)
50	15950001	Spark Plug Cover
51	21660010	Valve Cover <b>E-36000</b> ,001,002C,004,005,006,008,009,015,020,021,021A,022A,054,091,092D,093D ,100,100B,100C,101,101A,101B,102,102A,102B,102C,102D,102E,103B,103C,104 ,104A,104B,104C,104D,105,106,107A,108C,110C,112C,112D,112E,113D,114C,115 ,120C,121,122A,123D,139E,142D,144D,150,152D,154D,155,164D,182E,192E,194 ,201,202,204,204A,204B,204C,206,207,212D,218,226,228,229,242E,252E,262E ,264E,272E,273E,274E,284E,292E,300,301,302,306,307,318,382E,391,391A,392E ,394,400B,401,401A,401B,401C,401D,404,404B,404C,404D,491A,501,507A,511 ,514,520B,520C,523C,601,601A,601B,602A,621,621A,701A,702A,721A,729 <b>E-46000</b> ,001,004,005,006,010,052,055,216,226
51	21660012	Valve Cover <b>E-36220</b> ,522B,532B <b>E-46000A</b> <b>E-56520</b> ,522
52	29630004 *	Valve Cover Gasket
53	16190001	Breather Assy. <b>E-36000</b> ,001,002C,004,005,006,008,009,015,020,021,021A,022A,054,091,100,100B,100C ,101,101A,101B,102,102A,102B,102C,103C,104,104A,104B,104C,105,106,107A ,114C,115,120C,121,122A,150,155,194,201,202,204,204A,204B,204C,206,207 ,218,226,228,229,300,301,302,306,307,318,391,391A,394,400B,401,401A,401B ,401C,404,404B,404C,491A,501,507A,511,514,520B,520C,601,601A,601B,621 ,621A,701A,702A,721A,729 <b>E-46000</b> ,001,004,005,006,010,052,055,216,226
53	16190008	Breather Assy. <b>E-36092D</b> ,093D,102D,102E,103B,104D,108C,110C,112C,112D,112E,113D,123D,139E,142D ,144D,152D,154D,164D,182E,192E,212D,242E,252E,262E,264E,272E,273E,274E ,284E,292E,382E,392E,401D,404D,523C,602A
53A	16190003	Breather Assy. (Inc.-57,58,59,60) <b>E-36220</b> ,522B,532B <b>E-46000A</b> <b>E-56520</b> ,522

Note: Always check Master Price List for replacement part numbers.

Tecumseh products made in Italy by

**TECUMSEH EUROPA S.p.A.**

**VANTAGE Models**Issued: 02/96  
Revised: 08/00

Division	3
Section	A

Ref.No.	Part No.	Part Name
54	27140001	Breather Element <b>E-36000</b> ,001,002C,004,005,006,008,009,015,020,021,021A,022A,054,091,092D,093D ,100,100B,100C,101,101A,101B,102,102A,102B,102C,102D,102E,103B,103C,104 ,104A,104B,104C,104D,105,106,107A,108C,110C,112C,112D,112E,113D,114C,115 ,120C,121,122A,123D,139E,142D,144D,150,152D,154D,155,164D,182E,192E,194 ,201,202,204,204A,204B,204C,206,207,212D,218,226,228,229,242E,252E,262E ,264E,272E,273E,274E,284E,292E,300,301,302,306,307,318,382E,391,391A,392E ,394,400B,401,401A,401B,401C,401D,404,404B,404C,404D,491A,501,507A,511 ,514,520B,520C,523C,601,601A,601B,602A,621,621A,701A,702A,721A,729  <b>E-46000</b> ,001,004,005,006,010,052,055,216,226
54A	27140005	Breather Element <b>E-36220</b> ,522B,532B <b>E-46000A</b> <b>E-56522</b>
55	29190169	Screw 10-24 (L=15mm)
56	21670007	Breather Tube <b>E-36000</b> ,001,002C,004,005,006,008,009,015,020,021,021A,022A,054,091,100,100B,100C ,101,101A,101B,102,102A,102B,102C,103C,104,104A,104B,104C,105,106,107A ,114C,115,120C,121,122A,150,155,194,201,202,204,204A,204B,204C,206,207 ,218,226,228,229,300,301,302,306,307,318,391,391A,394,400B,401,401A,401B ,401C,404,404B,404C,491A,501,507A,511,514,520B,520C,601,601A,601B,621 ,621A,701A,702A,721A,729  <b>E-46000</b> ,001,004,005,006,010,052,055,216,226
56A	21670009	Breather Tube <b>E-36220</b> ,522B,532B <b>E-46000A</b> <b>E-56522</b>
57	27140005	Breather Element <b>E-56520</b>
58	29630111 *	Breather Gasket
59	29190186	Screw 10-24 (L=14mm) <b>E-36220</b> ,522B,532B <b>E-46000A</b> <b>E-56520</b> ,522
60	21670011	Breather Tube Elbow <b>E-36522B</b> ,532B <b>E-46000A</b>
60	21670012	Breather Tube <b>E-56520</b> ,522
61	28510011	Intake Pipe <b>E-36220</b>
61	28510030	Intake Pipe <b>E-36000</b> ,001,002C,004,005,006,008,009,015,020,021,021A,022A,054,091,100,100B,100C ,101,101A,101B,102,102A,102B,102C,103B,103C,104,104A,104B,104C,105,106 ,107A,108C,110C,112C,114C,115,120C,121,122A,150,155,194,201,202,204,204A ,204B,204C,206,207,218,226,228,229,300,301,302,306,307,318,391,391A,394 ,400B,401,401A,401B,401C,404,404B,404C,491A,501,507A,511,514,520B,520C ,522B,523C,601,601A,601B,621,621A,701A,702A,721A,729  <b>E-46000</b> ,000A,001,004,005,006,010,052,055,216,226 <b>E-56520</b> ,522
61	28510042	Intake Pipe <b>E-36092D</b> ,093D,102D,102E,104D,112D,112E,113D,123D,139E,142D,144D,152D,154D,164D ,182E,192E,212D,242E,252E,262E,264E,272E,273E,274E,284E,292E,382E,392E ,401D,404D,532B,602A

Note: Always check Master Price List for replacement part numbers.

Tecumseh products made in Italy by  
**TECUMSEH EUROPA S.p.A.**



Ref.No.	Part No.	Part Name
62	29190171	Screw 1/4-20 (L=24mm) <b>E-36000</b> ,001,002C,004,005,006,008,009,015,020,021,021A,022A,054,091,092D,093D ,100,100B,100C,101,101A,101B,102,102A,102B,102C,102D,102E,103B,103C,104 ,104A,104B,104C,104D,105,106,107A,108C,112C,112D,112E,113D,114C,115,120C ,121,122A,123D,139E,142D,144D,150,152D,154D,155,164D,182E,192E,194,201 ,202,204,204A,204B,204C,206,207,212D,218,220,226,228,229,242E,252E,262E ,264E,272E,273E,274E,284E,292E,300,301,302,306,307,318,382E,391,391A,392E ,394,400B,401,401A,401B,401C,401D,404,404B,404C,404D,491A,501,507A,511 ,514,520B,520C,522B,523C,532B,601,601A,601B,602A,621,621A,701A,702A,721A ,729 <b>E-46000</b> ,000A,001,004,005,006,010,052,055,216,226 <b>E-56520</b> ,522
63	29630085	* Intake Pipe Gasket <b>E-36220</b>
63	29630101	* Intake Pipe Gasket <b>E-36000</b> ,001,002C,004,005,006,008,009,015,020,021,021A,022A,054,091,092D,093D ,100,100B,100C,101,101A,101B,102,102A,102B,102C,102D,102E,103B,103C,104 ,104A,104B,104C,104D,105,106,107A,108C,110C,112C,112D,112E,113D,114C,115 ,120C,121,122A,123D,139E,142D,144D,150,152D,154D,155,164D,182E,192E,194 ,201,202,204,204A,204B,204C,206,207,212D,218,226,228,229,242E,252E,262E ,264E,272E,273E,274E,284E,292E,300,301,302,306,307,318,382E,391,391A,392E ,394,400B,401,401A,401B,401C,401D,404,404B,404C,404D,491A,501,507A,511 ,514,520B,520C,522B,523C,532B,601,601A,601B,602A,621,621A,701A,702A,721A ,729 <b>E-46000</b> ,000A,001,004,005,006,010,052,055,216,226 <b>E-56520</b> ,522
64	16630023	Control Screws Set <b>E-36008</b> ,009,091,092D,093D,101,104,104D,110C,113D,120C,123D,144D,194,201,202,204 ,204B,206,207,218,228,229,273E,300,301,302,307,318,391,391A,394,400B,401 ,401A,401B,401C,401D,404,404B,404C,404D,491A,501,507A,511,514,520B,520C ,522B,523C,532B,601,601A,601B,602A,621,621A,701A,702A,721A,729 <b>E-56522</b>
64	16630030	Control Screws Set <b>E-36000</b> ,001,004,005,006,015,020,021,021A,022A,054,100,102,105,106,115,121,122A ,150,155,220,226,306 <b>E-46000</b> ,000A,001,004,005,006,010,052,055,216,226
65	29190186	Screw 10-24 (L=14mm) <b>E-36000</b> ,001,004,005,006,008,009,015,020,021,021A,022A,054,091,092D,093D,100,101 ,102,104,104D,105,106,110C,113D,115,120C,121,122A,123D,144D,150,155,194 ,201,202,204,204B,206,207,218,220,226,228,229,273E,300,301,302,306,307 ,318,391,391A,394,400B,401,401A,401B,401C,401D,404,404B,404C,404D,491A ,501,507A,511,514,520B,520C,522B,523C,532B,601,601A,601B,602A,621,621A ,701A,702A,721A,729 <b>E-46000</b> ,000A,001,004,005,006,010,052,055,216,226 <b>E-56520</b> ,522
68	29590022	Oil Seal Cover <b>E-36000</b> ,001,002C,004,005,006,015,020,021,021A,022A,054,091,100,100B,100C,101 ,101A,101B,102,102A,102B,102C,103C,104,104A,104B,104C,105,106,107A,114C ,115,120C,121,122A,150,155,194,204,204A,204B,204C,220,300,301,302,306 ,391,391A,394,400B,401,401A,401B,401C,404,404B,404C,491A,501,511,514,601 ,601A,601B,621,621A,701A,702A,721A <b>E-46000</b> ,000A,001,004,005,006,052,055 <b>E-56520</b>
68	29590032	Oil Seal Cover <b>E-36008</b> ,009,201,202,206,207,218,226,228,229,307,318,507A,729 <b>E-46010</b> ,216,226

Note: Always check Master Price List for replacement part numbers.

Tecumseh products made in Italy by

**TECUMSEH EUROPA S.p.A.**





VANTAGE Models

Issued: 02/96  
Revised: 08/00

Division	3
Section	A

Ref.No.	Part No.	Part Name
69	27250032	Throttle Link E-36000 ,001,002C,004,005,006,008,009,015,020,021,021A,022A,054,091,092D,093D ,100,100B,100C,101,101A,101B,102,102A,102B,102C,103B,103C,104,104A,104B ,104C,104D,105,106,107A,108C,110C,112C,113D,114C,115,120C,121,122A,123D ,144D,150,155,194,201,202,204,204A,204B,204C,206,207,218,226,228,229,300 ,301,302,306,307,318,391,391A,394,400B,401,401A,401B,401C,401D,404,404B ,404C,404D,491A,501,507A,511,514,520B,520C,601,601A,601B,602A,621,621A ,701A,702A,721A,729 E-46000 ,001,004,005,006,010,052,055,216,226
69	27250040	Throttle Link E-36102D ,102E,112D,112E,139E,142D,152D,154D,164D,182E,192E,212D,220,242E,252E ,262E,264E,272E,273E,274E,284E,292E,382E,392E,522B,523C,532B E-46000A E-56520 ,522
70	27250003	Governor Spring Link E-36002C ,101A,102A,102B,102C,103B,104A,104B,107A,108C,112C,120C,204A,204C,511 ,514,621,621A,721A
70	27250039	Governor Link E-36102D ,102E,112D,112E,139E,142D,152D,154D,164D,182E,192E,212D,242E,252E,262E ,264E,272E,273E,274E,284E,292E,382E,392E,522B,523C,532B E-46000A E-56520 ,522
70	27250041	Governor Link E-36220
70	27250043	Governor Link E-36000 ,001,004,005,006,008,009,015,020,021,021A,022A,054,091,092D,093D,100,100B ,100C,101,101B,102,103C,104,104C,104D,105,106,110C,113D,114C,115,121,122A ,123D,144D,150,155,194,201,202,204,204B,206,207,218,226,228,229,300,301 ,302,306,307,318,391,391A,394,400B,401,401A,401B,401C,401D,404,404B,404C ,404D,491A,501,507A,520B,520C,601,601A,601B,602A,701A,702A,729 E-46000 ,001,004,005,006,010,052,055,216,226
71	27920010	Governor Spring E-36120C ,511,514,621,621A,721A
71	27920123	Governor Spring E-36000 ,001,002C,004,005,006,008,009,015,020,021,021A,022A,054,091,092D,093D ,100,100B,100C,101,101A,102,102A,102B,102C,103B,103C,104,104A,104B,104C ,104D,105,106,107A,108C,110C,112C,113D,114C,115,121,122A,123D,144D,150 ,155,194,201,202,204,204A,204B,204C,206,207,218,220,226,228,229,300,301 ,302,306,307,318,391,391A,394,400B,401,401A,401B,401C,401D,404,404B,404C ,404D,491A,501,507A,601,601A,602A,701A,702A,729 E-46000 ,000A,001,004,005,006,010,052,055,216,226
71	27920161	Governor Spring E-36101B ,102D,102E,112D,112E,139E,142D,152D,154D,164D,182E,192E,212D,242E,252E ,262E,264E,272E,273E,274E,284E,292E,382E,392E,520B,520C,522B,523C,532B ,601B E-56520 ,522
72	29190089	Screw 1/4-20 (L=62mm) E-36000 ,001,002C,004,005,006,008,009,015,020,021,021A,022A,054,091,092D,093D ,100,100B,100C,101,101A,101B,102,102A,102B,102C,102D,102E,103B,103C,104 ,104A,104B,104C,104D,105,106,107A,108C,110C,112C,112D,112E,113D,114C,115 ,120C,121,122A,123D,139E,142D,144D,150,152D,154D,155,164D,182E,192E,194 ,201,202,204,204A,204B,204C,206,207,212D,218,226,228,229,242E,252E,262E ,264E,272E,274E,284E,292E,300,301,302,306,307,318,382E,391,391A,392E,394 ,400B,401,401A,401B,401C,401D,404,404B,404C,404D,491A,501,507A,511,514 ,520B,520C,522B,523C,532B,601,601A,601B,602A,621,621A,701A,702A,721A,729 E-46000 ,000A,001,004,005,006,010,052,055,216,226
72	29190152	Screw 1/4-20 (L=70mm) E-36273E E-56520 ,522
72	29190213	Screw 1/4-20 (L=57mm) E-36220

Note: Always check Master Price List for replacement part numbers.

Tecumseh products made in Italy by  
**TECUMSEH EUROPA S.p.A.**

3 A	Division
	Section

### VANTAGE Models

Issued: 02/96  
Revised: 08/00



Ref.No.	Part No.	Part Name
73	21520109	Muffler <b>E-36000</b> ,001,002C,004,005,006,008,009,015,020,054,091,092D,093D,100,100B,100C,101,101A,101B,102,102A,102B,102C,102D,102E,103B,103C,104,104A,104B,104C,104D,105,106,107A,108C,110C,112C,112D,112E,113D,114C,115,123D,139E,142D,144D,152D,154D,155,164D,182E,192E,194,201,202,204,204A,204B,204C,206,207,212D,218,226,228,229,242E,252E,262E,264E,272E,274E,284E,292E,300,301,302,306,307,318,382E,391,391A,392E,394,400B,401,401A,401B,401C,401D,404,404B,404C,404D,491A,501,507A,511,514,532B,601,601A,601B,602A,701A,702A,729 <b>E-46000</b> ,000A,001,004,005,006,010,052,055,216,226
73	21520150	Muffler <b>E-36273E</b>
73A	21520103	Muffler <b>E-36021</b> ,021A,022A,120C,121,122A,150,520B,520C,522B,523C,621,621A,721A
73A	21520149	Muffler <b>E-56520</b> ,522
73B	21520116	Muffler <b>E-36220</b>
74	27530005	Lock Plate
75	21520105	Muffler Deflector
76	29190010	Screw 8-32 (L=9mm) <b>E-36021A</b> ,022A,120C,121,122A,150,520B,520C,522B,523C,621,621A,721A
77	29190090	Screw 10-32 (L=14mm) <b>E-36220</b>
77	29190186	Screw 10-24 (L=14mm) <b>E-36000</b> ,001,002C,004,005,006,008,009,015,020,091,092D,093D,100,100B,100C,101,101A,101B,102,102A,102B,102C,102D,102E,103B,103C,104,104A,104B,105,106,107A,108C,110C,112C,112D,112E,113D,115,120C,123D,139E,142D,152D,155,194,204,204A,204B,204C,206,207,212D,218,226,228,229,242E,252E,262E,272E,273E,274E,284E,292E,300,306,318,391,391A,392E,400B,401A,401B,401C,401D,404B,404C,404D,491A,501,507A,511,514,520B,520C,522B,523C,532B,601,601A,601B,602A,621,621A,701A,702A,721A,729 <b>E-46000</b> ,000A,001,004,005,006,010,052,055,216,226 <b>E-56520</b> ,522
79	14940009	Ground Wire (To Battery) <b>E-36005</b> ,006,008,015,105,106,115,155,206,207,218,228,306,307,318,507A <b>E-46005</b> ,006,010,055
80	14940012	Ground Wire <b>E-36002C</b> ,092D,093D,100B,100C,101A,101B,102A,102B,102C,102D,103C,104A,104B,104C,104D,107A,108C,110C,112C,112D,112E,113D,114C,123D,142D,144D,152D,154D,164D,182E,192E,204A,204B,204C,212D,242E,264E,274E,284E,292E,382E,392E,401A,491A
80	16380001	Ground Wire <b>E-36000</b> ,001,004,005,006,008,009,015,020,021,021A,022A,054,091,100,101,102,103B,104,105,106,115,120C,121,122A,139E,150,155,194,201,202,204,206,207,218,220,226,228,229,252E,262E,272E,273E,300,301,302,306,307,318,391,391A,394,400B,401,401B,401C,401D,404,404B,404C,404D,501,507A,511,514,520B,520C,522B,523C,532B,601,601A,601B,602A,621,621A,701A,702A,721A,729 <b>E-46000</b> ,000A,001,004,005,006,010,052,055,216,226 <b>E-56520</b> ,522
81	29630013	* Carburettor Gasket
82	29210008	Nut 1/4-28 <b>E-36220</b>

Note: Always check Master Price List for replacement part numbers.

Tecumseh products made in Italy by

**TECUMSEH EUROPA S.p.A.**



VANTAGE Models

Issued: 02/96  
Revised: 08/00

Division	3
Section	A

Ref.No.	Part No.	Part Name
82	29210013	Nut 1/4-20 <b>E-36000</b> ,001,002C,004,005,006,008,009,015,020,021,021A,022A,054,091,092D,093D ,100,100B,100C,101,101A,101B,102,102A,102B,102C,102D,102E,103B,103C,104 ,104A,104B,104C,104D,105,106,107A,108C,110C,112C,112D,112E,113D,114C,115 ,120C,121,122A,123D,139E,142D,144D,150,152D,154D,155,164D,182E,192E,194 ,201,202,204,204A,204B,204C,206,207,212D,218,226,228,229,242E,252E,262E ,264E,272E,273E,274E,284E,292E,300,301,302,306,307,318,382E,391,391A,392E ,394,400B,401,401A,401B,401C,401D,404,404B,404C,404D,491A,501,507A,511 ,514,520B,520C,522B,523C,532B,601,601A,601B,602A,621,621A,701A,702A,721A ,729 <b>E-46000</b> ,000A,001,004,005,006,010,052,055,216,226 <b>E-56520</b> ,522
83	29190171	Screw 1/4-20 (L=24mm) <b>E-36000</b> ,001,002C,004,005,006,008,009,015,020,021,021A,022A,054,091,100,100B,100C ,101,101A,101B,102,102A,102B,102C,103C,104,104A,104B,104C,105,106,107A ,110C,114C,115,120C,121,122A,150,155,194,201,202,204,204A,204B,204C,206 ,207,218,226,228,229,300,301,302,306,307,318,391,391A,394,400B,401,401A ,401B,401C,404,404B,404C,491A,501,507A,511,514,520B,520C,601,601A,601B ,621,621A,701A,702A,721A,729 <b>E-46000</b> ,000A,001,004,005,006,010,052,055,216,226
83	29190212	Screw 1/4-28 (L=22mm) <b>E-36220</b>
83	29190219	Screw 1/4-20 (L=22mm) <b>E-36092D</b> ,093D,102D,102E,103B,104D,108C,110C,112C,112D,112E,113D,123D,139E,142D ,144D,152D,154D,164D,182E,192E,212D,242E,252E,262E,264E,272E,273E,274E ,284E,292E,382E,392E,401D,404D,522B,523C,532B,602A <b>E-56520</b> ,522
84	29190208	Screw 10-32 (L=16mm)
85	16290020	Air Filter Assy. (Inc.-86,87,88,89,90,91,92,93,94) <b>E-56520</b> ,522
85A	16290019	Air Filter Assy. (Inc.-86A,87A,88A,89) <b>E-36000</b> ,001,002C,004,005,006,008,009,015,020,021,021A,022A,054,091,100,100B,100C ,101,101A,101B,102,102A,102B,102C,103B,103C,104,104A,104B,104C,105,106 ,107A,110C,114C,115,121,122A,150,155,194,201,202,204,204A,204B,204C,206 ,207,218,220,226,228,229,300,301,302,306,307,318,391,391A,394,400B,401 ,401A,401B,401C,404,404B,404C,491A,501,507A,511,514,601,601A,601B,621 ,621A,701A,702A,721A,729 <b>E-46000</b> ,000A,001,004,005,006,010,052,055,216,226
85A	16290022	Air Filter Assy. (Inc.-86A,87A,88A,89)
85A	16290022 *	Air Filter Assy. (Inc.-86A,87A,88A,89) <b>E-36092D</b> ,093D,102D,102E,104D,108C,112C,112D,112E,113D,120C,123D,139E,142D,144D ,152D,154D,164D,182E,192E,212D,242E,252E,262E,264E,272E,274E,284E,292E ,382E,392E,401D,404D,520B,520C,522B,523C,532B,602A
85D	16290030	Air Filter Assy. (Inc.-84,86D,87D,88D,94D,95) <b>E-36273E</b>
86	23430066	Air Filter Cover <b>E-56520</b> ,522
86A	23430043	Air Filter Cover <b>E-36000</b> ,001,002C,004,005,006,008,009,015,020,021,021A,022A,054,091,100,100B,100C ,101,101A,101B,102,102A,102B,102C,103B,103C,104,104A,104B,104C,105,106 ,107A,114C,115,121,122A,150,155,194,201,202,204,204A,204B,204C,206,207 ,218,226,228,229,300,301,302,306,307,318,391,391A,394,400B,401,401A,401B ,401C,404,404B,404C,491A,501,507A,511,514,601,601A,601B,621,621A,701A ,702A,721A,729 <b>E-46000</b> ,000A,001,004,005,006,010,052,055,216,226
86A	23430083	Air Filter Cover <b>E-36092D</b> ,093D,102D,102E,104D,108C,110C,112C,112D,112E,113D,120C,123D,139E,142D ,144D,152D,154D,164D,182E,192E,212D,220,242E,252E,262E,264E,272E,274E ,284E,292E,382E,392E,401D,404D,520B,520C,522B,523C,532B,602A
86D	23430093	Air Filter Cover <b>E-36273E</b>

Note: Always check Master Price List for replacement part numbers.

Tecumseh products made in Italy by  
**TECUMSEH EUROPA S.p.A.**

3 A	Division
	Section

### VANTAGE Models

Issued: 02/96  
Revised: 08/00



Ref.No.	Part No.	Part Name
87	23410047	Air Cleaner Filter <b>E-56520</b> ,522
87A	23410026	Air Cleaner Filter <b>E-36000</b> ,001,002C,004,005,006,008,009,015,020,021,021A,022A,054,091,092D,093D ,100,100B,100C,101,101A,101B,102,102A,102B,102C,102D,102E,103B,103C,104 ,104A,104B,104C,104D,105,106,107A,108C,110C,112C,112D,112E,113D,114C,115 ,120C,121,122A,123D,139E,142D,144D,150,152D,154D,155,164D,182E,192E,194 ,201,202,204,204A,204B,204C,206,207,212D,218,220,226,228,229,242E,252E ,262E,264E,272E,274E,284E,292E,300,301,302,306,307,318,382E,391,391A,392E ,394,400B,401,401A,401B,401C,401D,404,404B,404C,404D,491A,501,507A,511 ,514,520B,520C,522B,523C,532B,601,601A,601B,602A,621,621A,701A,702A,721A ,729 <b>E-46000</b> ,000A,001,004,005,006,010,052,055,216,226
87C	23410064	Air Cleaner Filter <b>E-36273E</b>
88	23420056	Air Filter Body <b>E-56520</b> ,522
88A	23420043	Air Filter Body <b>E-36000</b> ,001,002C,004,005,006,008,009,015,020,021,021A,022A,054,091,092D,093D ,100,100B,100C,101,101A,101B,102,102A,102B,102C,102D,102E,103B,103C,104 ,104A,104B,104C,104D,105,106,107A,108C,110C,112C,112D,112E,113D,114C,115 ,120C,121,122A,123D,139E,142D,144D,150,152D,154D,155,164D,182E,192E,194 ,201,202,204,204A,204B,204C,206,207,212D,218,220,226,228,229,242E,252E ,262E,264E,272E,274E,284E,292E,300,301,302,306,307,318,382E,391,391A,392E ,394,400B,401,401A,401B,401C,401D,404,404B,404C,404D,491A,501,507A,511 ,514,520B,520C,522B,523C,532B,601,601A,601B,602A,621,621A,701A,702A,721A ,729 <b>E-46000</b> ,000A,001,004,005,006,010,052,055,216,226
88D	23420072	Air Filter Body <b>E-36273E</b>
89	29630090 *	Filter Cover Seal <b>E-36000</b> ,001,002C,004,005,006,008,009,015,020,021,021A,022A,054,091,092D,093D ,100,100B,100C,101,101A,101B,102,102A,102B,102C,102D,102E,103B,103C,104 ,104A,104B,104C,104D,105,106,107A,108C,110C,112C,112D,112E,113D,114C,115 ,120C,121,122A,123D,139E,142D,144D,150,152D,154D,155,164D,182E,192E,194 ,201,202,204,204A,204B,204C,206,207,212D,218,220,226,228,229,242E,252E ,262E,264E,272E,274E,284E,292E,300,301,302,306,307,318,382E,391,391A,392E ,394,400B,401,401A,401B,401C,401D,404,404B,404C,404D,491A,501,507A,511 ,514,520B,520C,522B,523C,532B,601,601A,601B,602A,621,621A,701A,702A,721A ,729 <b>E-46000</b> ,000A,001,004,005,006,010,052,055,216,226 <b>E-56520</b> ,522
90	29190241	Screw M5 (L=62 mm)
91	29190242	Screw M5 (L=36 mm)
92	29220007	Nut M5
93	27420035	Air Cleaner Base
94	27140008	Breather Element <b>E-56520</b> ,522
94D	27140012	Breather Element <b>E-36273E</b>
95	29630086 *	Air Filter Gasket
96	17410041	Remote Speed Control (Inc.-64) <b>E-36000</b> ,001,004,005,006,015,020,021,021A,022A,054,100,102,105,106,115,120C,121 ,122A,150,155,220,226,306,511,514,621,621A,721A <b>E-46000</b> ,000A,001,004,005,006,010,052,055,216,226
96	17410045	Remote Speed Control (Inc.-64) <b>E-36008</b> ,009,091,101,104,194,201,202,204,206,207,218,228,229,273E,300,301,302 ,307,318,391,391A,394,400B,401,401B,401C,401D,404,404B,404C,404D,501,507A ,520B,520C,522B,523C,532B,601,601A,601B,602A,701A,702A,729 <b>E-56520</b> ,522
96	17410086	Remote Speed Control

Note: Always check Master Price List for replacement part numbers.

Tecumseh products made in Italy by

**TECUMSEH EUROPA S.p.A.**



### VANTAGE Models

Issued: 02/96  
Revised: 08/00

Division	3
Section	A

Ref.No.	Part No.	Part Name
96	17410086	Remote Speed Control (Inc.-64) <b>E-36092D</b> ,093D,100B,100C,103C,104C,104D,110C,113D,114C,123D,139E,144D,204B,401A,491A
97	27240139	Fixed Speed Lever <b>E-36002C</b> ,101A,101B,102A,102B,102C,102D,102E,103B,104A,104B,107A,108C,112C,112D,112E,142D,152D,154D,164D,182E,192E,204A,204C,212D,242E,252E,262E,264E,272E,274E,284E,292E,382E,392E
98	14320072	Blower Housing <b>E-36001</b> ,004,054,091,391,391A,511,514 <b>E-46001</b> ,004,052
98	14320073	Blower Housing <b>E-36000</b> ,009,020,021,021A,022A,100,101,102,104,121,150,194,201,202,204,226,229,300,301,302,394,401,404,601,601A,601B,621,621A,729 <b>E-46000</b> ,000A,216,226
98	14320107	Blower Housing <b>E-36501</b>
98	14320120	Blower Housing <b>E-36122A</b> ,701A,702A,721A
98	14320122	Blower Housing <b>E-36120C</b> ,220,520B,520C,522B,523C <b>E-56520</b> ,522
98	14320154	Blower Housing <b>E-36103B</b> ,264E,274E,284E,292E,392E,532B
98	14320195	Blower Housing <b>E-36139E</b> ,262E,272E,382E
98	16630054	Blower Housing & Starter (Inc.-114) <b>E-36102E</b> ,252E
98	24320274	Blower Housing <b>E-36273E</b>
98A	14320074	Blower Housing <b>E-36005</b> ,008,015,105,115,155,206,207,218,228,307,318,507A <b>E-46005</b> ,010
98A	14320075	Blower Housing <b>E-36006</b> ,106,306 <b>E-46006</b> ,055
98B	14300020	Blower Housing & Starter (Inc.-114) <b>E-36002C</b> ,100B,100C,101A,101B,102A,102B,102C,103C,104A,104B,104C,107A,108C,110C,112C,114C,204A,204B,204C,400B,401A,401B,401C,404B,404C,491A
98B	14300053	Blower Housing
98B	14300053	Blower Housing & Starter (Inc.-114) <b>E-36092D</b> ,093D,102D,104D,112D,113D,123D,142D,144D,152D,154D,164D,182E,192E,212D,401D,404D,602A
98B	14300064	Blower Housing & Starter (Inc.-114) <b>E-36112E</b>
98B	16630054	Blower Housing & Starter (Inc.-114) <b>E-36242E</b>
99	29190038	Screw 1/4-20 (L=12mm)
99A	29190186	Screw 10-24 (L=14mm) <b>E-36220</b>
101	16210018	Fuel Tank (Inc.-102) <b>E-36000</b> ,001,004,005,006,008,009,015,020,021,021A,022A,054,091,100,101,102,104,105,106,115,121,150,155,194,201,202,204,206,207,218,226,228,229,300,301,302,306,307,318,391,391A,394,401,404,501,507A,511,514,601,601A,601B,621,621A,729 <b>E-46000</b> ,000A,001,004,005,006,010,052,055,216,226
101	16210034	Fuel Tank (Inc.-102) <b>E-36002C</b> ,100B,100C,101A,101B,102A,102B,102C,103B,103C,104A,104B,104C,107A,108C,110C,112C,114C,122A,204A,204B,204C,400B,401A,401B,401C,404B,404C,491A,701A,702A,721A

Note: Always check Master Price List for replacement part numbers.

Tecumseh products made in Italy by

**TECUMSEH EUROPA S.p.A.**

3	Division
A	Section

**VANTAGE Models**



Issued: 02/96  
Revised: 08/00

Ref.No.	Part No.	Part Name
101A	16210031	Fuel Tank (Inc.-102) <b>E-36120C</b> ,142D,220,520B,520C,522B,523C,532B <b>E-56520</b> ,522
101A	16210039	Fuel Tank (Inc.-102) <b>E-36092D</b> ,093D,102D,102E,104D,112D,112E,113D,123D,139E,144D,152D,154D,164D,182E,192E,212D,242E,252E,262E,264E,272E,273E,274E,284E,292E,382E,392E,401D,404D,602A
102	13350003	Fuel Filler Cap <b>E-36092D</b> ,093D,102D,102E,104D,112D,112E,113D,120C,123D,139E,142D,144D,152D,154D,164D,182E,192E,212D,220,242E,252E,262E,264E,272E,273E,274E,284E,292E,382E,392E,401D,404D,520B,520C,522B,523C,532B,602A <b>E-56520</b> ,522
102	23350019	Fuel Filler Cap <b>E-36000</b> ,001,002C,004,005,006,008,009,015,020,021,021A,022A,054,091,100,100B,100C,101,101A,101B,102,102A,102B,102C,103B,103C,104,104A,104B,104C,105,106,107A,108C,110C,112C,114C,115,121,122A,150,155,194,201,202,204,204A,204B,204C,206,207,218,226,228,229,300,301,302,306,307,318,391,391A,394,400B,401,401A,401B,401C,404,404B,404C,491A,501,507A,511,514,601,601A,601B,621,621A,701A,702A,721A,729 <b>E-46000</b> ,000A,001,004,005,006,010,052,055,216,226
103	29190090	Screw 10-32 (L=14mm) <b>E-36092D</b> ,093D,102D,102E,104D,112D,112E,113D,120C,123D,139E,142D,144D,152D,154D,164D,182E,192E,212D,220,242E,252E,262E,264E,272E,273E,274E,284E,292E,382E,392E,401D,404D,522B,523C,532B,602A <b>E-56520</b> ,522
104	29490031	Fuel Line Clamp
105	16270001	Fuel Line (Available only in 5m coils)
106	29510050	Belleville Washer
107	29210020	Nut 1/2-20
109	24350063	Coupling Ring <b>E-36000</b> ,001,004,005,006,008,009,015,021,021A,022A,054,091,100,101,104,105,106,115,120C,121,122A,150,194,300,306,394,501,511,514,520B,520C,621,621A,721A <b>E-46000</b> ,000A,001,004,005,006
109	24350064	Coupling Ring <b>E-36102</b> ,155
109	24350067	Coupling Ring <b>E-36020</b> ,201,202,204,204A,204C,206,207,218,226,228,229,301,302,307,318,507A,729 <b>E-46010</b> ,052,055,216,226
110	24220015	Starter Cup
112	29190058	Screw 1/4-28 (L=7mm) <b>E-36220</b>
112	29190180	Screw 8-32 (L=8mm) <b>E-36000</b> ,001,004,005,006,008,009,015,020,021,021A,022A,054,091,100,101,102,103B,104,105,106,115,120C,121,122A,139E,150,155,194,201,202,204,206,207,218,226,228,229,262E,264E,272E,273E,274E,284E,292E,300,301,302,306,307,318,382E,391,391A,392E,394,401,404,501,507A,511,514,520B,520C,522B,523C,532B,601,601A,601B,621,621A,701A,702A,721A,729 <b>E-46000</b> ,000A,001,004,005,006,010,052,055,216,226 <b>E-56520</b> ,522
113	14210056	Rewind Starter (Inc.-114) <b>E-36000</b> ,001,004,005,006,008,009,015,020,021,021A,054,091,100,101,102,104,105,106,115,121,150,155,194,201,202,204,206,207,218,226,228,229,300,301,302,306,307,318,391,394,501,507A,511,514,601,621,729 <b>E-46000</b> ,000A,001,004,005,006,010,052,055,216,226
113	14210076	Rewind Starter (Inc.-114) <b>E-36022A</b> ,103B,120C,122A,220,391A,401,404,520B,520C,601A,601B,621A,701A,702A,721A <b>E-56520</b>
113	14210090	Rewind Starter (Inc.-114) <b>E-36139E</b> ,262E,264E,272E,273E,274E,284E,292E,382E,392E,522B,523C,532B <b>E-56522</b>

Note: Always check Master Price List for replacement part numbers.

Tecumseh products made in Italy by

**TECUMSEH EUROPA S.p.A.**



**VANTAGE Models**

Issued: 02/96  
Revised: 08/00

Division	3
Section	A

Ref.No.	Part No.	Part Name
114	24230004	Starter Handle <b>E-36000</b> ,001,002C,004,005,006,008,009,015,020,021,021A,022A,054,091,092D,093D ,100,100B,100C,101,101A,101B,102,102A,102B,102C,102D,102E,103B,103C,104 ,104A,104B,104C,104D,105,106,107A,108C,110C,112C,112D,112E,113D,114C,115 ,120C,121,122A,123D,139E,142D,144D,150,152D,154D,155,164D,182E,192E,194 ,201,202,204,204A,204B,204C,206,207,212D,218,220,226,228,229,252E,262E ,264E,272E,273E,274E,284E,292E,300,301,302,306,307,318,382E,391,391A,392E ,394,400B,401,401A,401B,401C,401D,404,404B,404C,404D,491A,501,507A,511 ,514,520B,520C,522B,523C,532B,601,601A,601B,602A,621,621A,701A,702A,721A ,729 <b>E-46000</b> ,000A,001,004,005,006,010,052,055,216,226 <b>E-56520</b> ,522
116	24330039	Starter Cover
117	16410002	Electric Starter Motor (Inc.-168)
118	29190038	Screw 1/4-20 (L=12mm)
119	29510016	Washer <b>E-36005</b> ,006,008,015,105,106,115,155,206,207,218,228,306,307,318,507A <b>E-46005</b> ,006,010,055
121	29450023	Retaining Ring <b>E-36008</b> ,009,194,201,202,206,207,218,226,228,229,301,302,307,318,394,507A,729 <b>E-46010</b> ,216,226
123	27220012	Gear (Right Hand) <b>E-36008</b> ,009,201,202,206,207,218,226,228,229,301,302,507A,729 <b>E-46010</b> ,216,226
124	29490063	Tang Washer <b>E-36008</b> ,009,201,202,206,207,218,226,228,229,301,302,307,318,507A,729 <b>E-46010</b> ,216,226
125	27210025	P.T.O. Shaft <b>E-36194</b> ,201,202,206,207,301,302,307,394,507A
125	27210026	P.T.O. Shaft <b>E-36008</b> ,009,218,226,228,229,318,729 <b>E-46010</b> ,216,226
127	29510014	Washer <b>E-36008</b> ,009,194,201,202,206,207,218,226,228,229,301,302,307,318,394,507A,729 <b>E-46010</b> ,216,226
129	29190038	Screw 1/4-20 (L=12mm)
130	24330063	Protection Bracket <b>E-36005</b> ,006,008,015,105,106,115,155,206,207,218,228,306,307,318,507A <b>E-46005</b> ,006,010,055
131	29320041	Oil Filler Plug <b>E-36002C</b> ,091,092D,093D,100B,100C,101,101A,101B,102A,102B,102C,102D,102E,103B,103C ,104,104A,104B,104C,104D,106,107A,108C,110C,112C,112D,112E,113D,114C,115 ,120C,121,123D,139E,142D,144D,150,152D,154D,164D,182E,192E,194,204,204A ,204B,204C,212D,218,220,242E,252E,262E,264E,272E,274E,284E,292E,318,382E ,391,391A,392E,394,400B,401,401A,401B,401C,401D,404,404B,404C,404D,491A ,501,520B,520C,522B,523C,532B,601,601A,601B,602A,621,621A,701A,702A,721A <b>E-46216</b>
132	29630008 *	Oil Filler Gasket <b>E-36220</b>
132	29630096 *	Oil Filler Gasket <b>E-36002C</b> ,091,092D,093D,100B,100C,101,101A,101B,102A,102B,102C,102D,102E,103B,103C ,104,104A,104B,104C,104D,106,107A,108C,110C,112C,112D,112E,113D,114C,115 ,120C,121,123D,139E,142D,144D,150,152D,154D,164D,182E,192E,194,204,204A ,204B,204C,212D,218,242E,252E,262E,264E,272E,274E,284E,292E,318,382E,391 ,391A,392E,394,400B,401,401A,401B,401C,401D,404,404B,404C,404D,491A,501 ,520B,520C,522B,523C,532B,601,601A,601B,602A,621,621A,701A,702A,721A <b>E-46216</b>
134	16480015	Oil Filler Assy. (Inc.-135,136,137,138,139)
135	29320049	Oil Dipstick
136	29630094 *	Oil Dipstick Gasket

Note: Always check Master Price List for replacement part numbers.

Tecumseh products made in Italy by  
**TECUMSEH EUROPA S.p.A.**



Ref.No.	Part No.	Part Name
137	29140024	Oil Filler Tube <b>E-36000</b> ,001,004,005,006,008,009,015,020,021,021A,022A,054,100,102,105,122A,155,201,202,206,207,226,228,229,273E,300,301,302,306,307,507A,511,514,729 <b>E-46000</b> ,000A,001,004,005,006,010,052,055,226 <b>E-56520</b> ,522
138	29610024 *	O'Ring <b>E-36008</b> ,009,201,202,206,207,226,228,229,301,302,307,507A,729 <b>E-46010</b> ,226
138	29610032 *	O'Ring <b>E-36000</b> ,001,004,005,006,015,020,021,021A,022A,054,100,102,105,122A,155,273E,300,306,511,514 <b>E-46000</b> ,000A,001,004,005,006,052,055 <b>E-56520</b> ,522
139	29190090	Screw 10-32 (L=14mm) <b>E-36000</b> ,001,004,005,006,008,009,015,020,021,021A,022A,054,100,102,105,122A,155,201,202,206,207,226,228,229,273E,300,301,302,306,307,507A,511,514,729 <b>E-46000</b> ,000A,001,004,005,006,010,052,055,226 <b>E-56520</b> ,522
140	23020104	Carburettor <b>E-36000</b> ,001,004,005,006,015,020,021,021A,022A,054,100,102,105,106,115,121,122A,150,155,226,306 <b>E-46000</b> ,000A,001,004,052,216,226
140	23020111	Carburettor <b>E-46005</b> ,006,010,055
140	23020142	Carburettor <b>E-36120C</b> ,220,511,514,621,621A,721A
140	23060004	Carburettor <b>E-36002C</b> ,107A,520B
140	23060006	Carburettor <b>E-36101B</b> ,601B
140	23060011	Carburettor <b>E-56520</b>
140	23060012	Carburettor <b>E-36102C</b> ,108C,110C,112C,139E,152D,252E,262E,292E,382E,392E
140	23060604	Carburettor <b>E-36522B</b> ,523C,532B
140	23060611	Carburettor <b>E-56522</b>
140	23060612	Carburettor <b>E-36092D</b> ,104D,112D,112E,113D,142D,154D,182E,192E,284E,401D,404D,602A
140	23070001	Carburettor <b>E-36008</b> ,009,091,101,101A,104,104A,194,201,202,204,204A,206,207,218,228,229,300,301,302,307,318,391,391A,394,401,401A,401B,404,404B,491A,501,507A,601,601A,701A,729
140	23099003	Carburettor <b>E-36093D</b> ,102D,102E,123D,144D,164D,212D,242E,264E,272E,274E
140	23099004	Carburettor <b>E-36100B</b> ,100C,102A,102B,103B,103C,104B,104C,114C,204B,204C,273E,400B,401C,404C,520C,702A
142	29410009	Flywheel Key <b>E-36020</b> ,021,021A,022A,120C,121,122A,150,520B,520C,522B,523C,532B,621,621A,721A <b>E-56520</b> ,522

Note: Always check Master Price List for replacement part numbers.

Tecumseh products made in Italy by

**TECUMSEH EUROPA S.p.A.**





### VANTAGE Models

Issued: 02/96  
Revised: 08/00

Division	3
Section	A

Ref.No.	Part No.	Part Name
142	29410012	Flywheel Key <b>E-36000</b> ,001,002C,004,005,006,008,009,015,054,091,092D,093D,100,100B,100C,101,101A,101B,102,102A,102B,102C,102D,102E,103B,103C,104,104A,104B,104C,104D,105,106,107A,108C,110C,112C,112D,112E,113D,114C,115,123D,139E,142D,144D,152D,154D,155,164D,182E,192E,194,201,202,204,204A,204B,204C,206,207,212D,218,220,226,228,229,242E,252E,262E,264E,272E,273E,274E,284E,292E,300,301,302,306,307,318,382E,391,391A,392E,394,400B,401,401A,401B,401C,401D,404,404B,404C,404D,491A,501,507A,511,514,601,601A,601B,602A,701A,702A,729 <b>E-46000</b> ,000A,001,004,005,006,010,052,055,216,226
150	24110031	Flywheel (Std) <b>E-36000</b> ,001,004,009,054,091,100,101,102,104,194,201,202,204,226,229,300,301,302,394,401A,729 <b>E-46000</b> ,000A,001,004,052,216,226
150	24110032	Flywheel (Heavy) <b>E-36020</b> ,021,021A,022A,120C,121,122A,150,520B,520C,621,621A,721A <b>E-56520</b>
150	24110036	Flywheel (Std) <b>E-36002C</b> ,092D,093D,100B,100C,101A,101B,102A,102B,102C,102D,102E,103B,103C,104A,104B,104C,104D,107A,108C,110C,112C,112D,112E,113D,114C,123D,139E,142D,144D,152D,154D,164D,182E,192E,204A,204B,204C,212D,242E,252E,262E,264E,272E,273E,274E,284E,292E,382E,391,391A,392E,400B,401,401B,401C,401D,404,404B,404C,404D,491A,501,511,514,601,601A,601B,602A,701A,702A
150	24110045	Flywheel (Heavy) <b>E-36220</b> ,522B,523C,532B <b>E-56522</b>
150A	14110020	Flywheel (w/ring gear) <b>E-36005</b> ,006,008,015,105,106,115,155,206,207,218,228,306,307,318,507A <b>E-46005</b> ,006,010,055
151	29490055	Flywheel Key Spacer
152	14160034	Solid State (Coil & Lamination)(Inc.-50) <b>E-36000</b> ,001,002C,004,005,006,008,009,015,020,021,021A,022A,054,091,100,100B,100C,101,101A,101B,102,102A,102B,102C,103C,104,104A,104B,104C,105,106,107A,114C,115,120C,121,122A,150,155,194,201,202,204,204A,204B,204C,206,207,218,226,228,229,300,301,302,306,307,318,391,391A,394,400B,401,401A,401B,401C,404,404B,404C,491A,501,507A,511,514,520B,520C,601,601A,601B,621,621A,701A,702A,721A,729 <b>E-46000</b> ,000A,001,004,005,006,010,052,055,216,226
152	14160072	Solid State (Coil & Lamination)(Inc.-50) <b>E-36092D</b> ,093D,102D,102E,103B,104D,108C,110C,112C,112D,112E,113D,123D,139E,142D,144D,152D,154D,164D,182E,192E,212D,220,242E,252E,262E,264E,272E,273E,274E,284E,292E,382E,392E,401D,404D,522B,523C,532B,602A <b>E-56520</b> ,522
153	29190166	Screw 8-32 (L=11mm)
154	14450001	Alternator Coil
159	29370006	Alternator Wire Sheath
160	24450007	Connector <b>E-36005</b> ,006,008,015,105,106,115,155,206,207,218,228,306,307,318,507A <b>E-46005</b> ,006,010,055
165	16610031	Gasket Set
168	16630037	Kit Starter Pinion <b>E-36005</b> ,006,008,015,105,106,115,155,206,207,218,228,306,307,318,507A <b>E-46005</b> ,006,010,055
180	29080065	Double Terminal <b>E-36400B</b> ,401B,401C,401D,404B,404C,404D

Note: Always check Master Price List for replacement part numbers.

Tecumseh products made in Italy by  
**TECUMSEH EUROPA S.p.A.**

3	Division
A	Section

**VANTAGE Models**

Issued: 02/96  
Revised: 08/00



Ref.No.	Part No.	Part Name
192	29190174	Screw 10-32 (L=6mm) <b>E-36000</b> ,001,004,005,006,008,009,015,020,021,021A,022A,054,091,092D,093D,100,100B,100C,101,102,103C,104,104C,104D,105,106,110C,113D,114C,115,120C,121,122A,123D,144D,150,155,194,201,202,204,204B,206,207,218,220,226,228,229,273E,300,301,302,306,307,318,391,391A,394,400B,401,401A,401B,401C,401D,404,404B,404C,404D,491A,501,507A,511,514,520B,520C,522B,523C,532B,601,601A,601B,602A,621,621A,701A,702A,721A,729 <b>E-46000</b> ,000A,001,004,005,006,010,052,055,216,226 <b>E-56520</b> ,522
192	29190305	Screw <b>E-36139E</b>
193	29490004	Conduit Clip <b>E-36000</b> ,001,004,005,006,008,009,015,020,021,021A,022A,054,091,092D,093D,100,100B,100C,101,102,103C,104,104C,104D,105,106,110C,113D,114C,115,120C,121,122A,123D,139E,144D,150,155,194,201,202,204,204B,206,207,218,220,226,228,229,273E,300,301,302,306,307,318,391,391A,394,400B,401,401A,401B,401C,401D,404,404B,404C,404D,491A,501,507A,511,514,520B,520C,522B,523C,532B,601,601A,601B,602A,621,621A,701A,702A,721A,729 <b>E-46000</b> ,000A,001,004,005,006,010,052,055,216,226 <b>E-56520</b> ,522
201	24450010	Battery Charger
202	16360002	Switch Assy .
204	24450011	Ignition Key <b>E-36005</b> ,006,008,015,105,106,115,155,206,207,218,228,306,307,318,507A <b>E-46005</b> ,006,010,055
214	24330057	Muffler Guard <b>E-36000</b> ,001,002C,004,005,006,008,009,015,020,091,100,100B,100C,101,101A,101B,102,102A,102B,102C,103B,103C,104,104A,104B,105,106,107A,108C,110C,112C,115,120C,155,194,204,204A,204B,204C,206,207,218,226,228,229,300,306,318,391,391A,400B,401A,401B,401C,404B,404C,491A,501,507A,511,514,520B,520C,601,601A,601B,621,621A,701A,702A,721A,729 <b>E-46000</b> ,000A,001,004,005,006,010,052,055,216,226
214	24330131	Muffler Guard <b>E-56520</b> ,522
214	24330162	Muffler Guard <b>E-36092D</b> ,093D,102D,102E,112D,112E,113D,123D,139E,142D,152D,212D,242E,252E,262E,272E,274E,284E,392E,401D,404D,532B,602A
214	24330183	Muffler Guard <b>E-36273E</b>
214A	24330049	Muffler Guard <b>E-36220</b>
215	29190221	Self-threading Screw <b>E-36000</b> ,001,002C,004,005,006,008,009,015,020,091,092D,093D,100,100B,100C,101,101A,101B,102,102A,102B,102C,102D,102E,103B,103C,104,104A,104B,105,106,107A,108C,110C,112C,112D,112E,113D,115,120C,123D,139E,142D,152D,155,194,204,204A,204B,204C,206,207,212D,218,226,228,229,242E,252E,262E,272E,273E,274E,284E,300,306,318,391,391A,392E,400B,401A,401B,401C,401D,404B,404C,404D,491A,501,507A,511,514,520B,520C,532B,601,601A,601B,602A,621,621A,701A,702A,721A,729 <b>E-46000</b> ,000A,001,004,005,006,010,052,055,216,226 <b>E-56520</b> ,522
230	14500009	Brake Assy. (Inc.-235) <b>E-36002C</b> ,092D,093D,100B,100C,101A,101B,102A,102B,102C,102D,103B,103C,104A,104B,104C,104D,107A,108C,110C,112C,112D,113D,114C,123D,142D,144D,152D,154D,164D,182E,192E,204A,204B,204C,212D,264E,274E,284E,292E,392E,400B,401A,401B,401C,401D,404B,404C,404D,491A,501
230	14500019	Brake Assy. (Inc.-235) <b>E-36112E</b>
230	14500024	Brake Assy. (Inc.-235) <b>E-36102E</b> ,139E,242E,252E,262E,272E,382E

Note: Always check Master Price List for replacement part numbers.

Tecumseh products made in Italy by

**TECUMSEH EUROPA S.p.A.**



## VANTAGE Models

Issued: 02/96  
Revised: 08/00

Division	3
Section	A

Ref.No.	Part No.	Part Name
235	19080003	Terminal Assy. <b>E-36002C</b> ,092D,093D,100B,100C,101A,101B,102A,102B,102C,102D,102E,103B,103C,104A,104B,104C,104D,107A,108C,110C,112C,112D,112E,113D,114C,123D,139E,142D,144D,152D,154D,164D,182E,192E,204A,204B,204C,212D,242E,252E,262E,264E,272E,274E,284E,292E,382E,392E,400B,401A,401B,401C,401D,404B,404C,404D,491A,501
236	29190038	Screw 1/4-20 (L=12mm) <b>E-36002C</b> ,100B,100C,101A,101B,102A,102B,102C,103C,104A,104B,104C,107A,114C,204A,204B,204C,400B,401A,401B,401C,404B,404C,491A,501
236	29190310	Screw 1/4-20 (L=10mm) <b>E-36092D</b> ,093D,102D,102E,103B,104D,108C,110C,112C,112D,112E,113D,123D,139E,142D,144D,152D,154D,164D,182E,192E,212D,242E,252E,262E,264E,272E,274E,284E,292E,382E,392E,401D,404D
237	29510010	Washer <b>E-36400B</b> ,401B,401C,404B,404C,501
237	29510109	Washer <b>E-36002C</b> ,100B,100C,101A,101B,102A,102B,102C,103C,104A,104B,104C,107A,114C,204A,204B,204C,401A,491A

Note: Always check Master Price List for replacement part numbers.

Tecumseh products made in Italy by  
**TECUMSEH EUROPA S.p.A.**

3

Division

A

Section

**VANTAGE**

Issued: 02/96

Revised: 08/00



---

Tecumseh products made in Italy by

**TECUMSEH EUROPA S.p.A.**